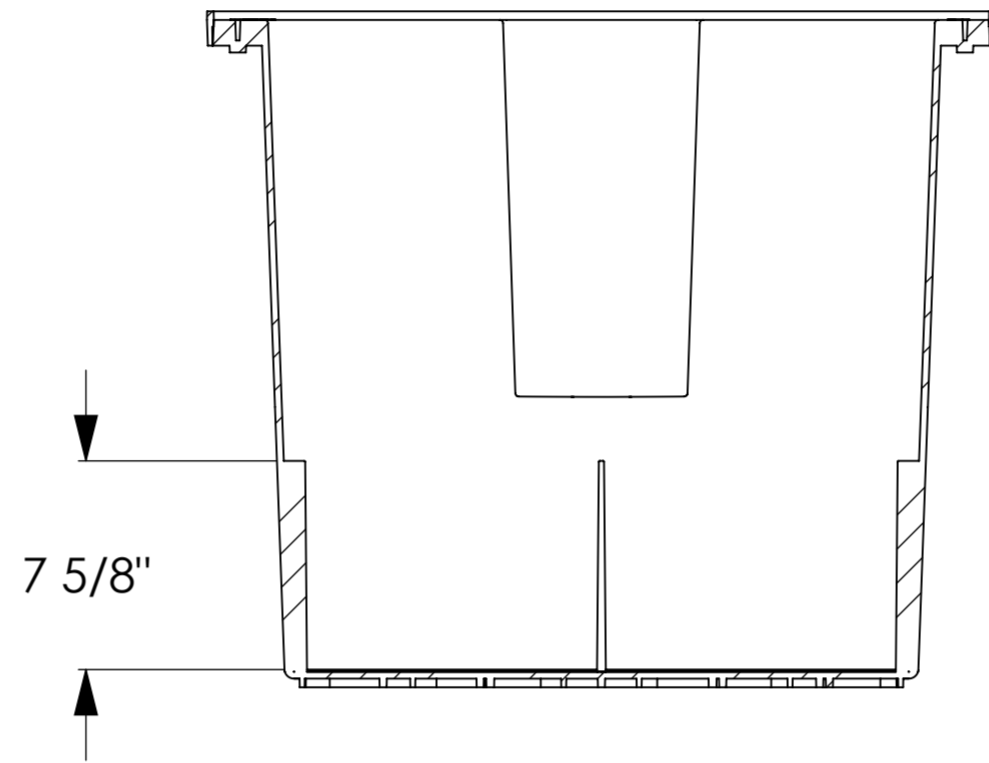
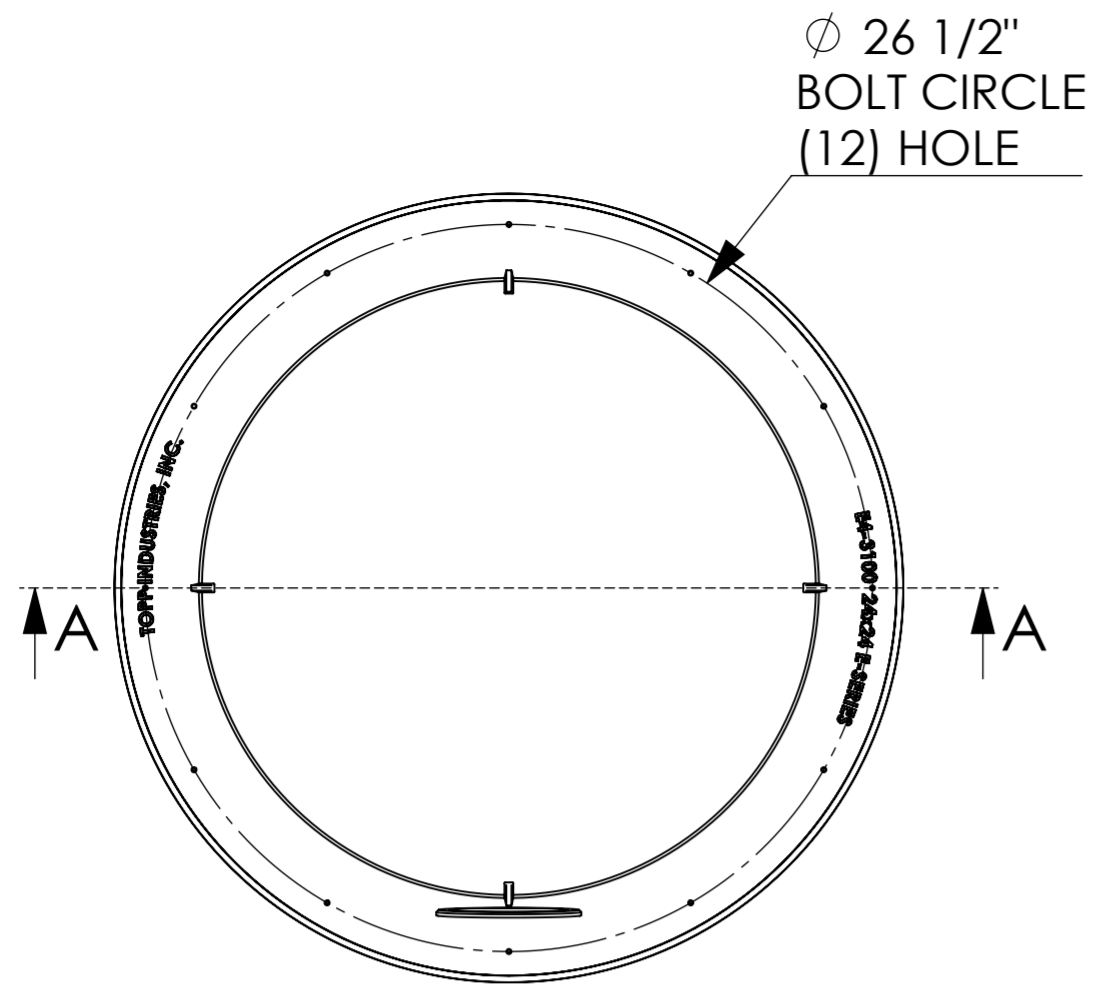


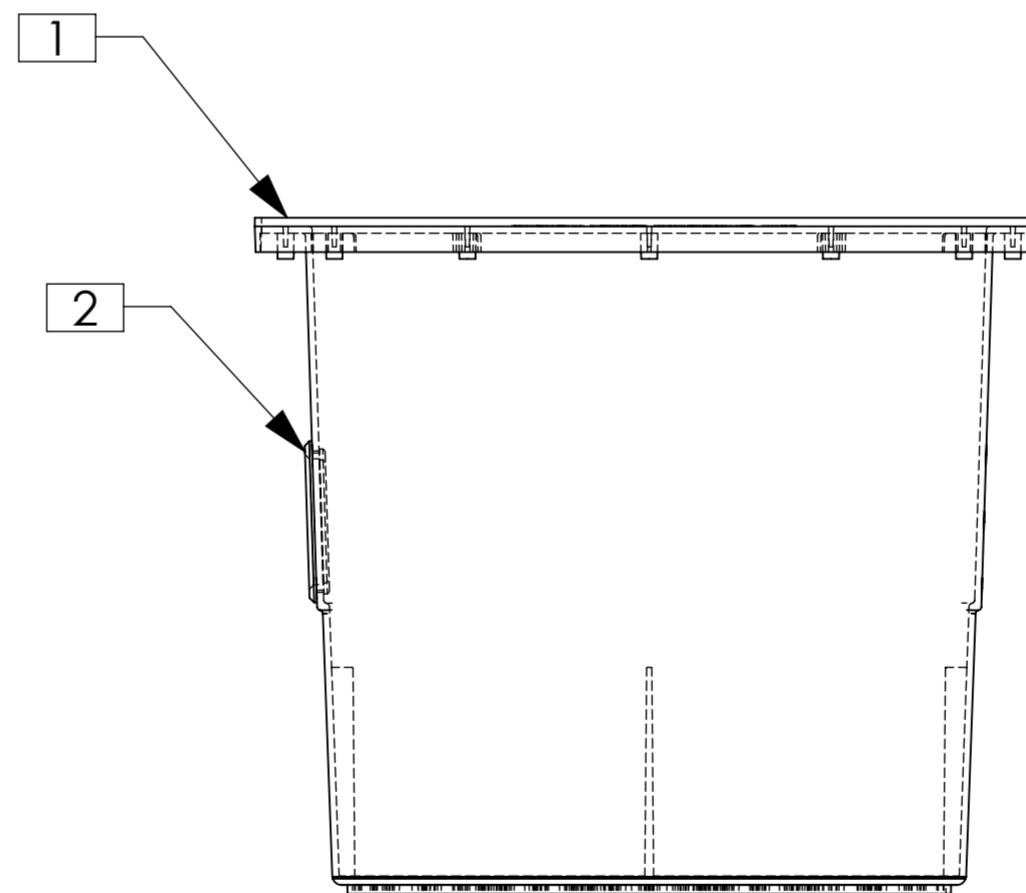
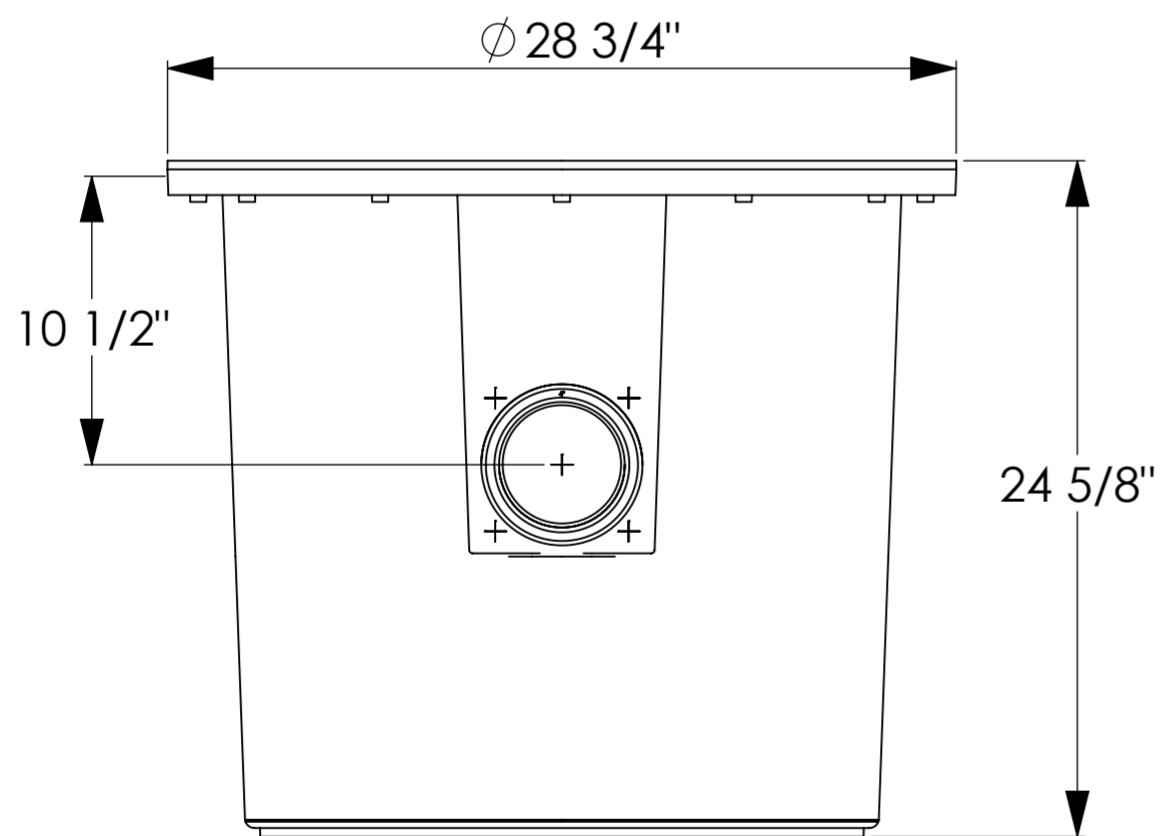
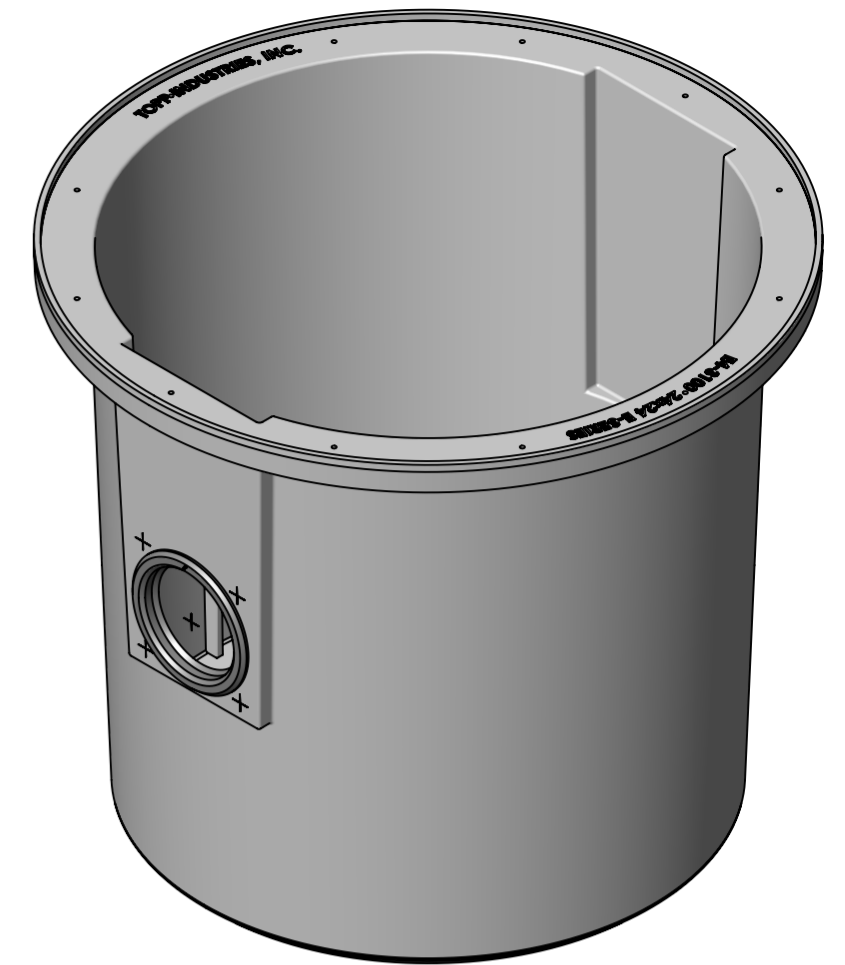
ITEM NO.	PART NUMBER	DESCRIPTION	QTY.
1	E2-22001	E2-2200 BASIN W/ SINGLE 5" HOLE	1
2	G400	4" GROMMET	1


 P.O. BOX 420 ^ HWY. 25 N.
 ROCHESTER, IN. 46975
 (800) 354-4534 FAX: (574) 223-6106

UNLESS OTHERWISE SPECIFIED: DIMENSIONS ARE IN MILLIMETERS		PUMP & DISCONNECT:		DO NOT SCALE DRAWING		REVISION 01	
SURFACE FINISH:		SO:		PO:			
TOLERANCES:							
LINEAR:							
ANGULAR:							
DRAWN:	NAME	DATE					
CHK'D:	ADM	04/17/2020					
APP'V'D:	ADM	04/17/2020					
MFG:							
G.A.:							
			MATERIAL:				TITLE:
			STRUCTURAL FOAM				E2-2200 BASIN W/ SINGLE 5" HOLE
			WEIGHT: 13 LBS				DWG NO. E2-22001
			SCALE: 1:5				A2
			SHEET 1 OF 1				



SECTION A-A



NOTE: WEIGHT = 22.25 LBS
 GALLONS = 45.15

ITEM NO.	PART NUMBER	DESCRIPTION	QTY.
1	E4-3100 24x24 BASIN	E-SERIES 24 X 24 BASIN	1
2	G400	4" GROMMET	1

UNLESS OTHERWISE SPECIFIED: DIMENSIONS ARE IN MILLIMETERS

PUMP & DISCONNECT: _____

DO NOT SCALE DRAWING REVISION 01

SO: _____ PO: _____

TITLE: 24x24 E-Series Basin with 4" Grommet

DRAWN: CB 08/18/2016
 CHK'D: CB 08/18/2016

APP'V'D: _____
 MFG: _____

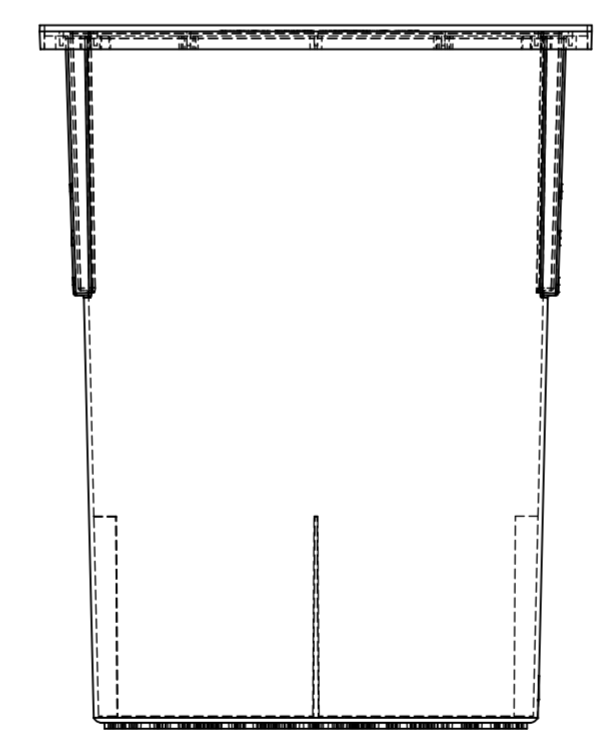
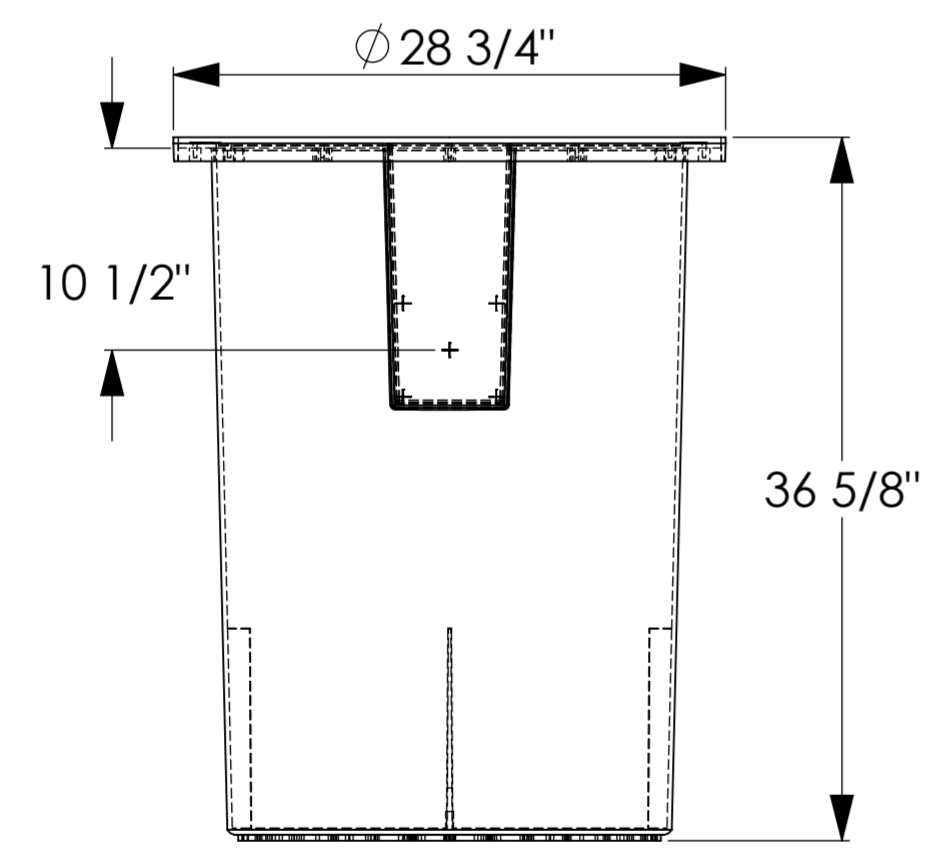
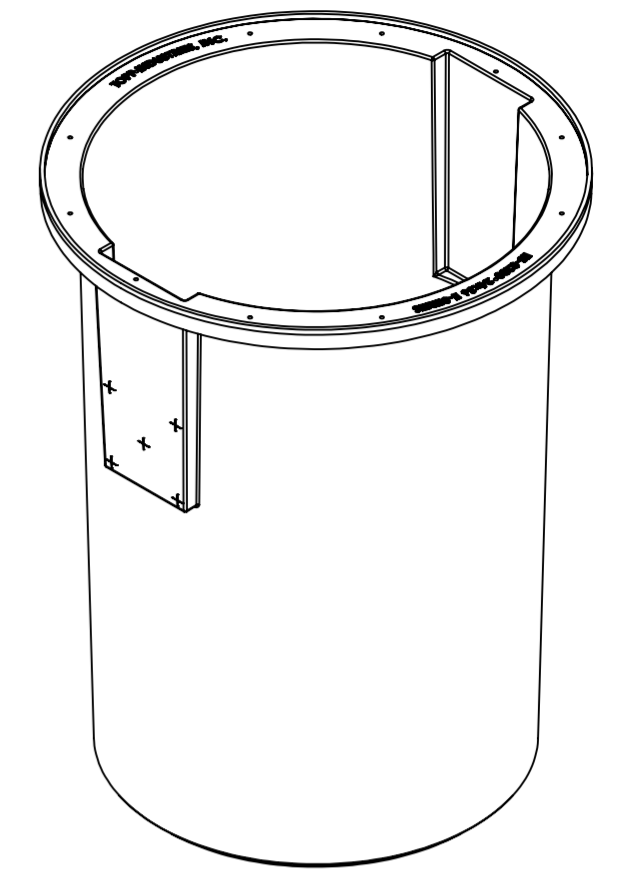
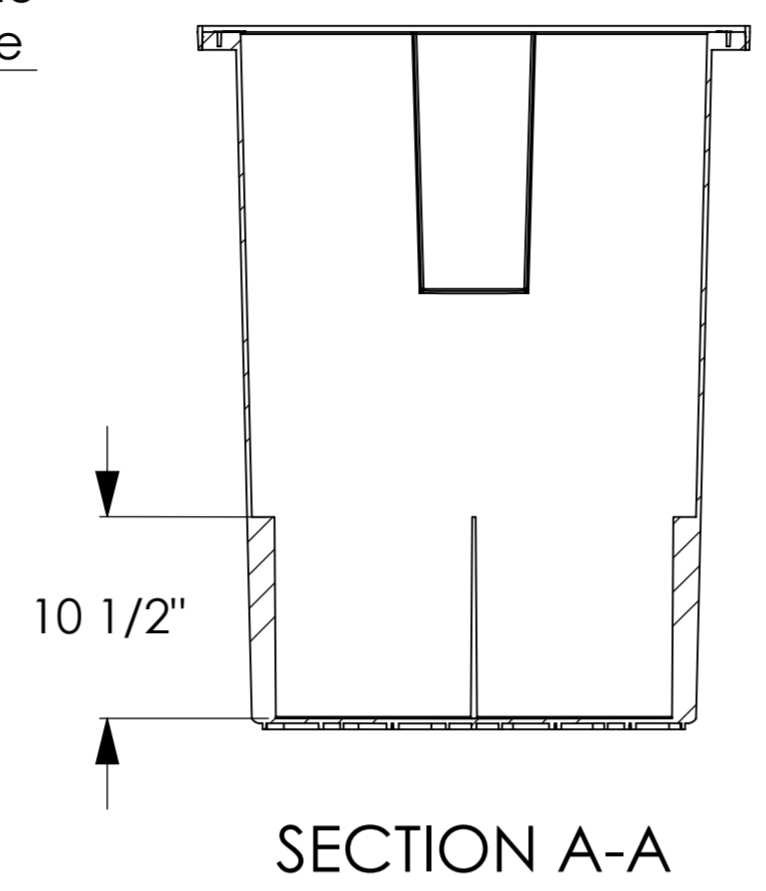
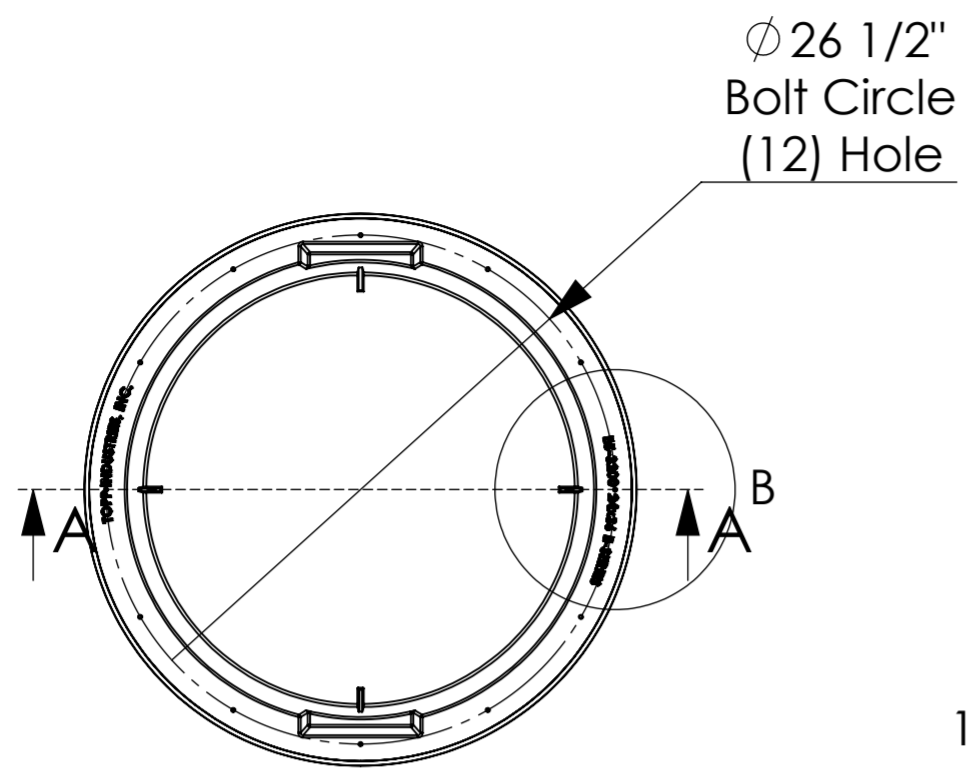
G.A. _____ MATERIAL: _____

WEIGHT: _____

DWG NO. E4-31001 A2

SCALE: 1:7 SHEET 1 OF 1

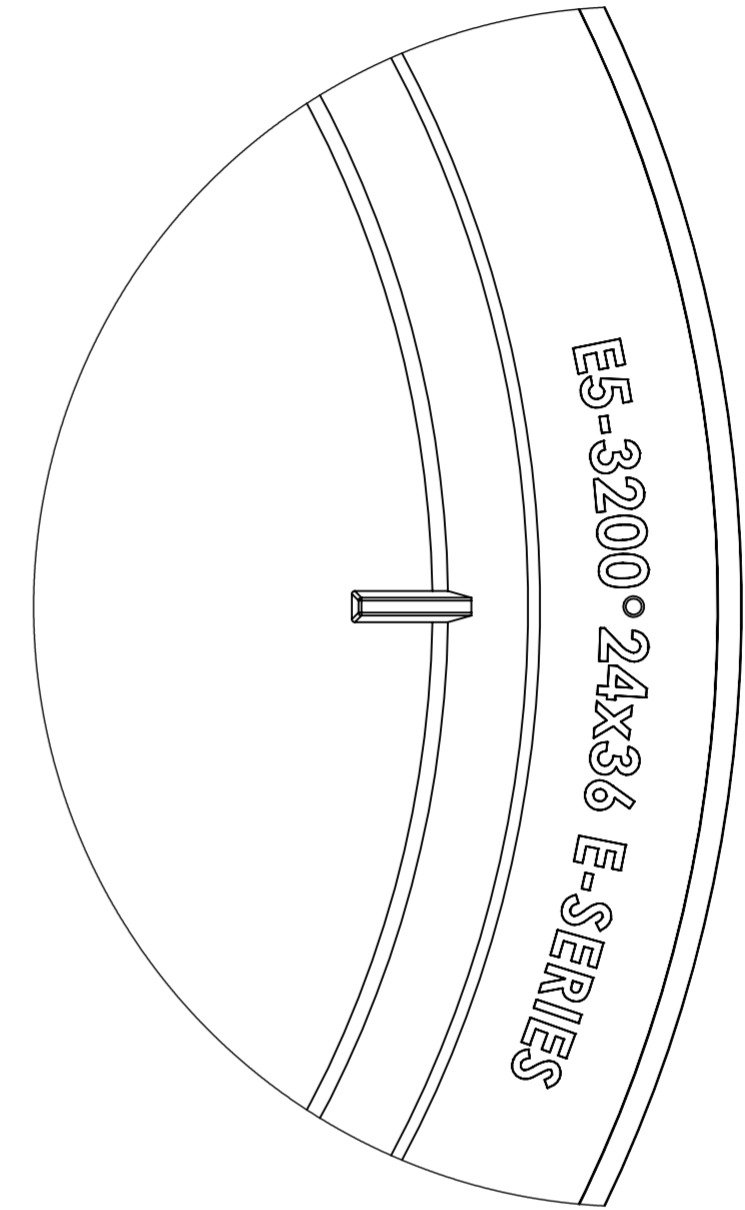
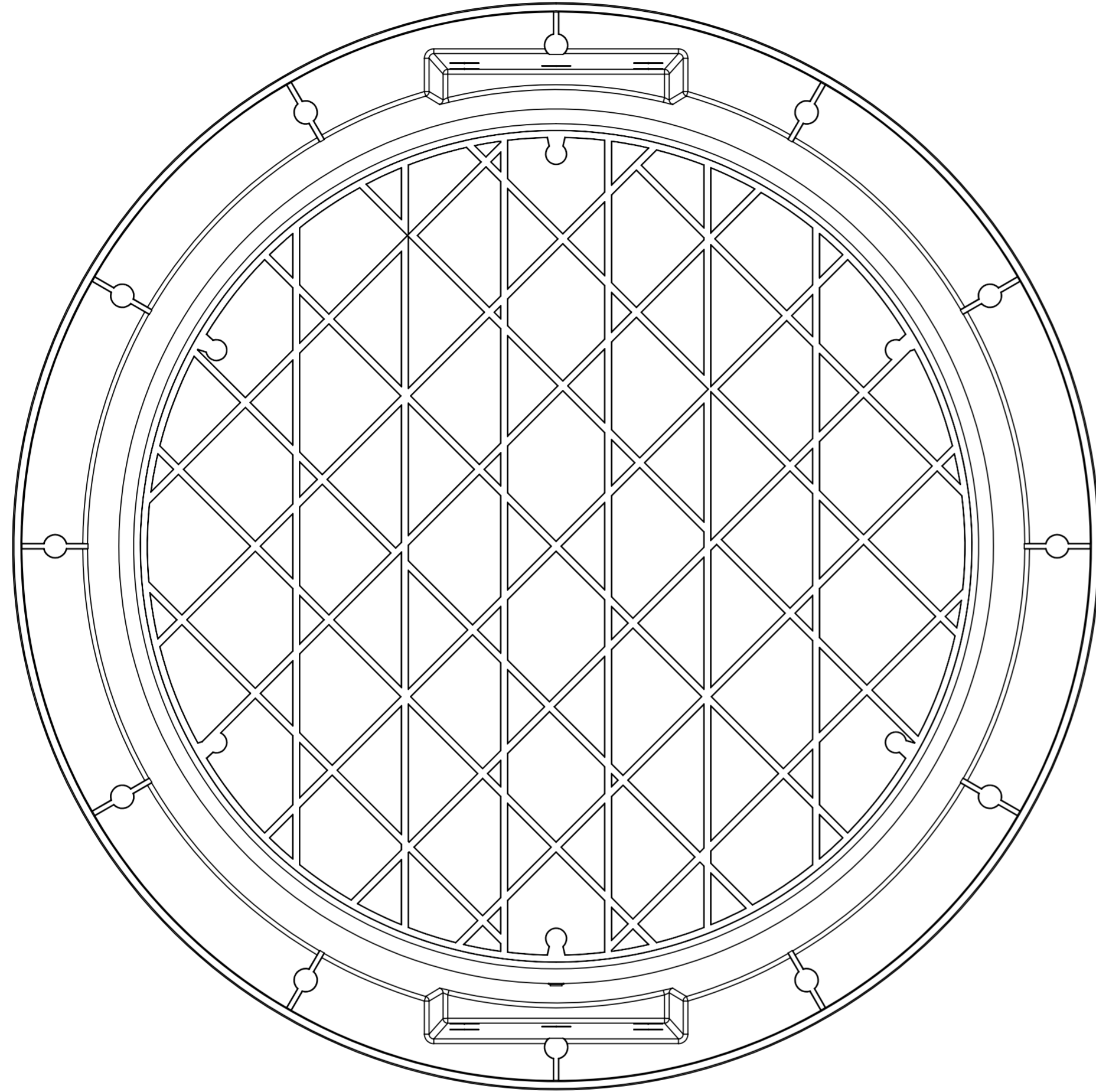
TOPP
 INDUSTRIES
 INCORPORATED
 P.O. BOX 420 ^ HWY. 25 N.
 ROCHESTER, IN. 46975
 (800) 354-4534 FAX: (574) 223-6106



**NOTE: Weight = 30.22 lbs
Gallons = 68.25**

INDUSTRIES
TOPP
 INCORPORATED
 P.O. BOX 420 ^ HWY. 25 N.
 ROCHESTER, IN. 46975
 (800) 354-4534 FAX: (574) 223-6106

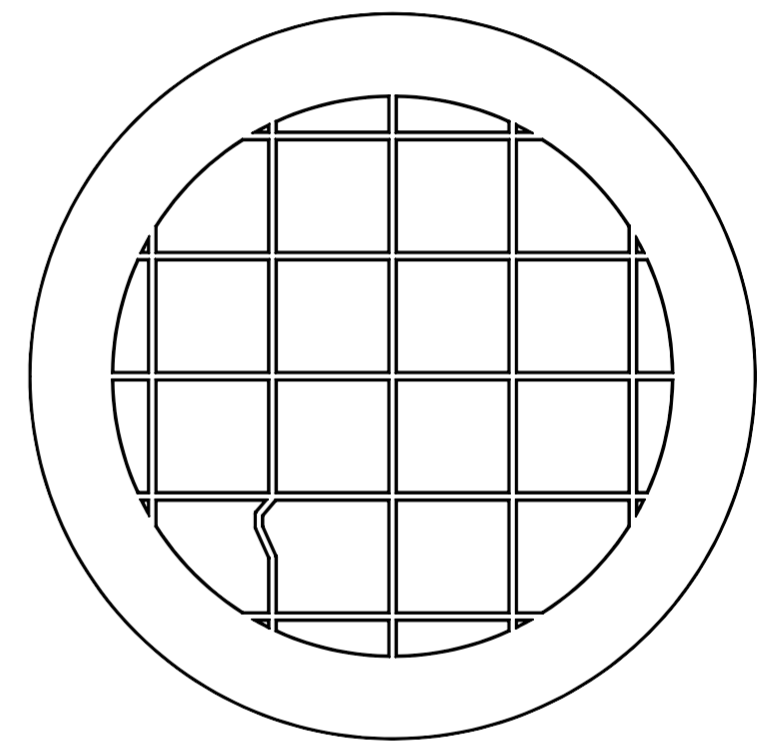
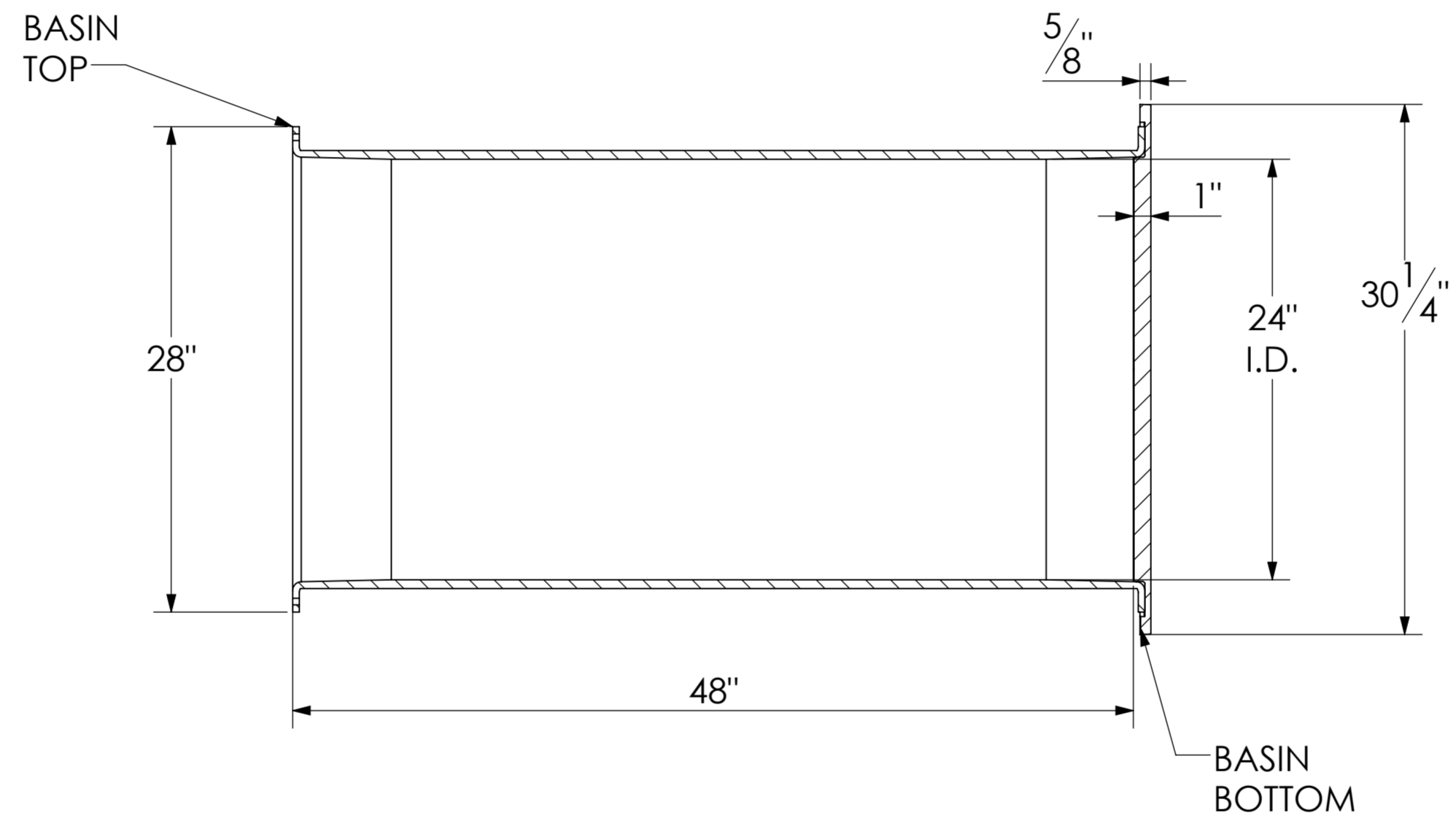
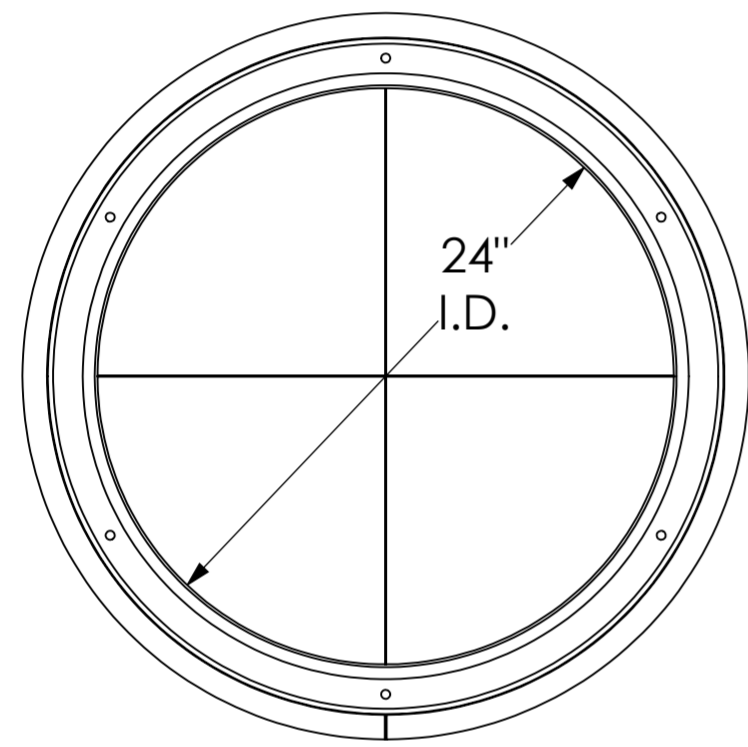
UNLESS OTHERWISE SPECIFIED: DIMENSIONS ARE IN MILLIMETERS		PUMP & DISCONNECT:		DO NOT SCALE DRAWING		REVISION 02	
SURFACE FINISH:		SO:		PO:		TITLE:	
TOLERANCES:						24 X 36 STRUCTURAL FOAM BASIN	
LINEAR:						DWG. NO. E5-3200	
ANGULAR:						A2	
DRAWN:	NAME	DATE					
CHK'D:	DG	05/17/2016					
APP'V'D:	ADM	12/20/2018					
MFG:							
G.A.							
		MATERIAL:					
		Structural Foam					
		HDPE					
		WEIGHT:				SCALE:1:10	
						SHEET 1 OF 2	



DETAIL B
SCALE 1 : 2

UNLESS OTHERWISE SPECIFIED: DIMENSIONS ARE IN MILLIMETERS				FINISH:		DEBUR AND BREAK SHARP EDGES		DO NOT SCALE DRAWING		REVISION 02	
SURFACE FINISH:											
TOLERANCES:											
LINEAR:											
ANGULAR:											
	NAME	SIGNATURE	DATE			TITLE:					
DRAWN	dg		8/05/17/2016	/14		24X36 SF BASIN					
CHK'D	US ADM		12/20/2018								
APP'VD											
MFG											
Q.A						MATERIAL: Structural Foam HDPE		DWG NO. E5-3200		A2	
						WEIGHT:		SCALE:1:10		SHEET 2 OF 2	

WET WELL
O.D. = 28"
B.C. = 26 1/2"
I.D. = 24"



O.D. = OUTER DIAMETER
B.C. = BOLT CIRCLE
I.D. = INNER DIAMETER
C.A. = CLEAR ACCESS

TOPP INDUSTRIES
INCORPORATED
P.O. BOX 420 ^ HWY. 25 N.
ROCHESTER, IN. 46975
(800) 354-4534 FAX: (574) 223-6106

UNLESS OTHERWISE SPECIFIED: DIMENSIONS ARE IN MILLIMETERS		PUMP & DISCONNECT:		DO NOT SCALE DRAWING		REVISION 01	
SURFACE FINISH:		SO:		TITLE:			
TOLERANCES:		PO:		24" X 48" FG BASIN, W/FG ANTI-FLOAT			
LINEAR:				DWG NO.		A A2	
ANGULAR:				SCALE:1:10		SHEET 1 OF 1	
DRAWN:	NAME	DATE					
CHK'D:	GH	01/11/2023					
APP'VD:							
MFG:							
G.A:							
				MATERIAL:			
				WEIGHT:			