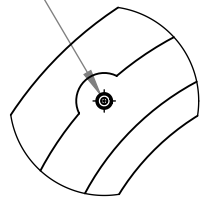
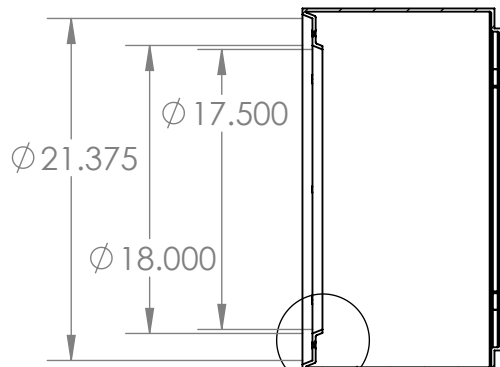


B1812EXT

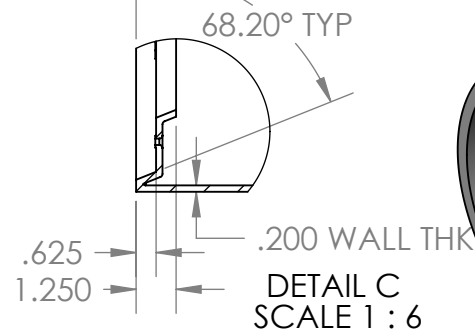
(4) ϕ .500 HOLES ∇ THRU
EQUALLY SPACED ON A 19.500
BOLT CIRCLE.



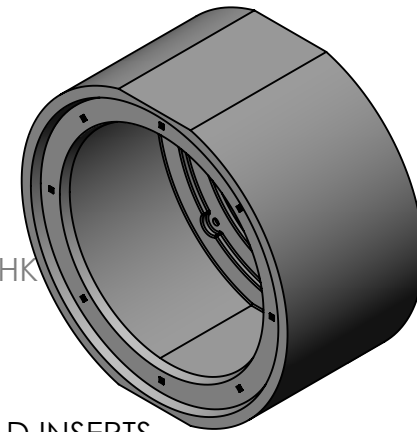
DETAIL E
SCALE 1 : 6



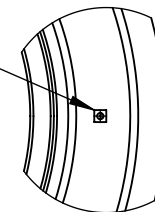
SECTION B-B



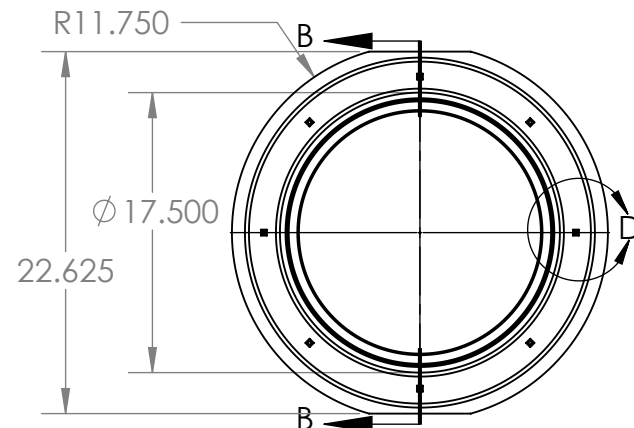
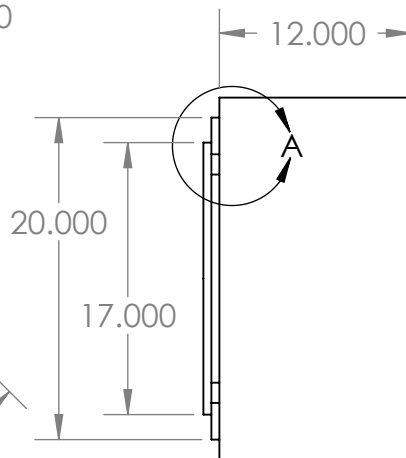
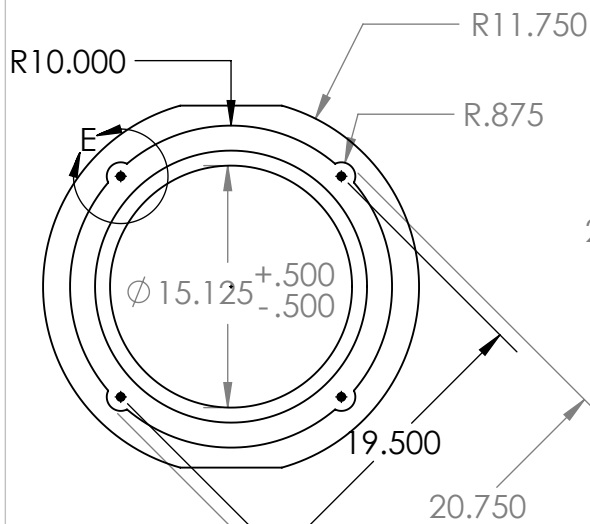
DETAIL C
SCALE 1 : 6



(8) 1/4 - 20 THREAD INSERTS
EQUALLY SPACED ON A
19.500 BOLT CIRCLE



DETAIL D
SCALE 1 : 6



DETAIL A
SCALE 1 : 6

MATERIAL DENSITY: .0334LBS/ IN³

PRODUCT WEIGHT: 9.99 LBS

WALL THICKNESS: .200

PROPRIETARY AND CONFIDENTIAL
THE INFORMATION CONTAINED IN THIS
DRAWING IS THE SOLE PROPERTY OF
TOPP INDUSTRIES. ANY REPRODUCTION IN
PART OR AS A WHOLE WITHOUT THE
WRITTEN PERMISSION OF TOPP INDUSTRIES
IS PROHIBITED.

		UNLESS OTHERWISE SPECIFIED:	NAME	DATE
		DIMENSIONS ARE IN INCHES	DRAWN	CB 10/2/2015
		TOLERANCES:	CHECKED	ADM 11/09/2016
		FRACTIONAL \pm 1/16	ENG APPR.	
		ANGULAR: MACH \pm BEND \pm	MFG APPR.	
		TWO PLACE DECIMAL \pm 015	Q.A.	
		THREE PLACE DECIMAL \pm .005	COMMENTS:	
		INTERPRET GEOMETRIC TOLERANCING PER:		
		MATERIAL		
		LLDPE		
		FINISH		
		BLACK		
NEXT ASSY	USED ON			
APPLICATION		DO NOT SCALE DRAWING		

**TOPP INDUSTRIES
INCORPORATED**

TITLE:
**POLY 12 INCH EXTENSION
18 X 12 EXT-1**

SIZE	DWG. NO.	REV
A	B1812EXT	04

SCALE: 1:12