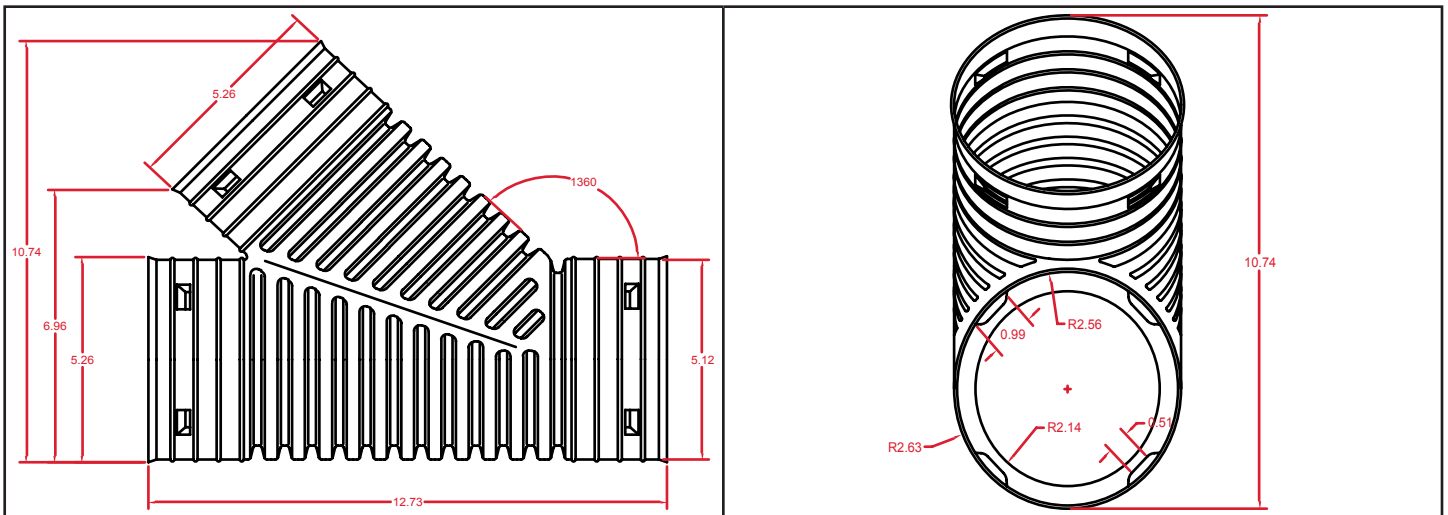




FITTING NUMBER	
40043000	
FITTING	SIZE
WYE	4"

MEASUREMENTS



PART WEIGHT

350 grams (+/- 25 grams)

PART WALL DISTRIBUTION

.07"

These specifications are held in standard according to ASTM F667 - Standard Specification for Polyethylene Plastics Pipe and Fittings material.