

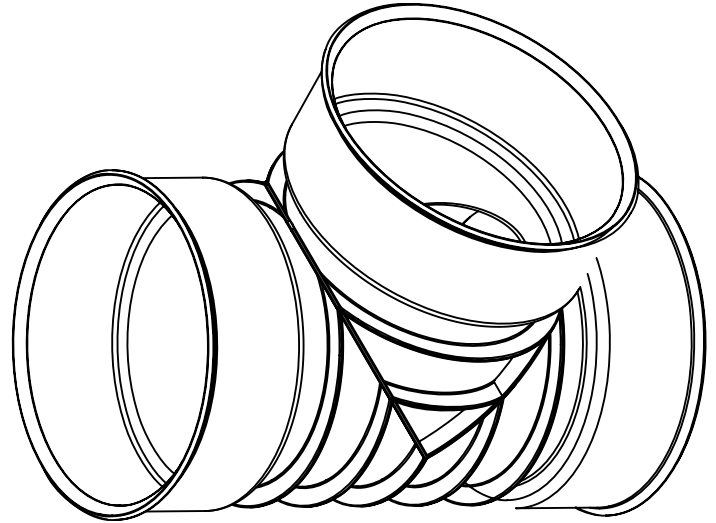
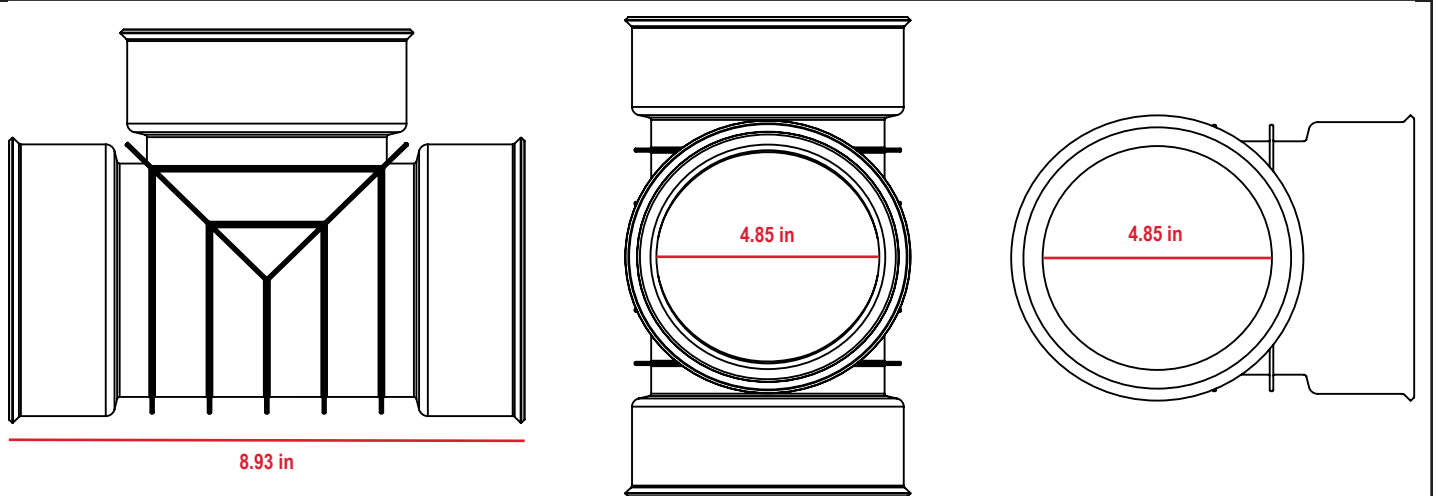
FITTING NUMBER

40042100

FITTING

TEE

SIZE

4"**MEASUREMENTS**

PART WEIGHT

216 grams

PART WALL DISTRIBUTION

.074"

These specifications are held in standard according to ASTM F667 - Standard Specification for Polyethylene Plastics Pipe and Fittings material.