

FITTING NUMBER

40181830

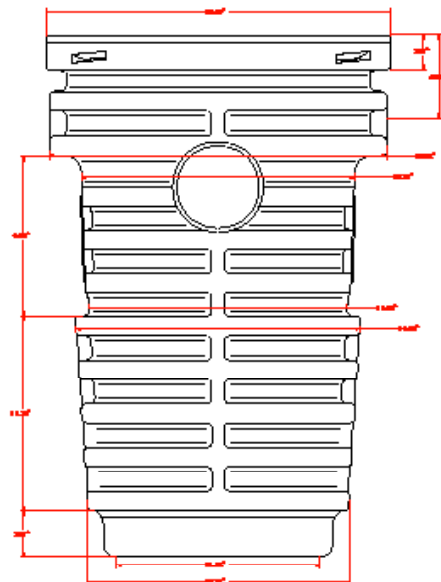
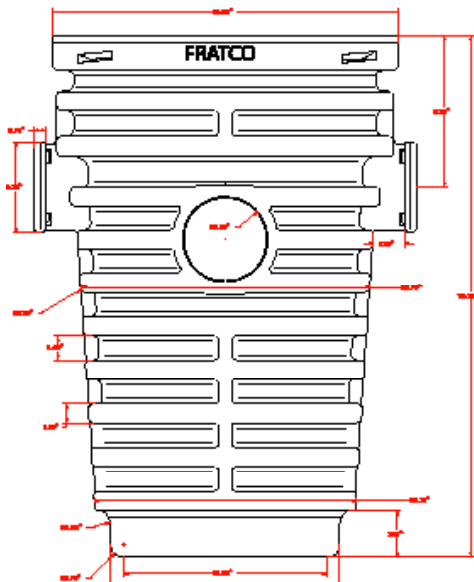
FITTING

SUMP PIT

SIZE

18"x30"

MEASUREMENTS



PART WEIGHT

3600 grams (+/- 50 grams)

Standard Specification for Polyethylene Plastics Pipe and Fittings material.