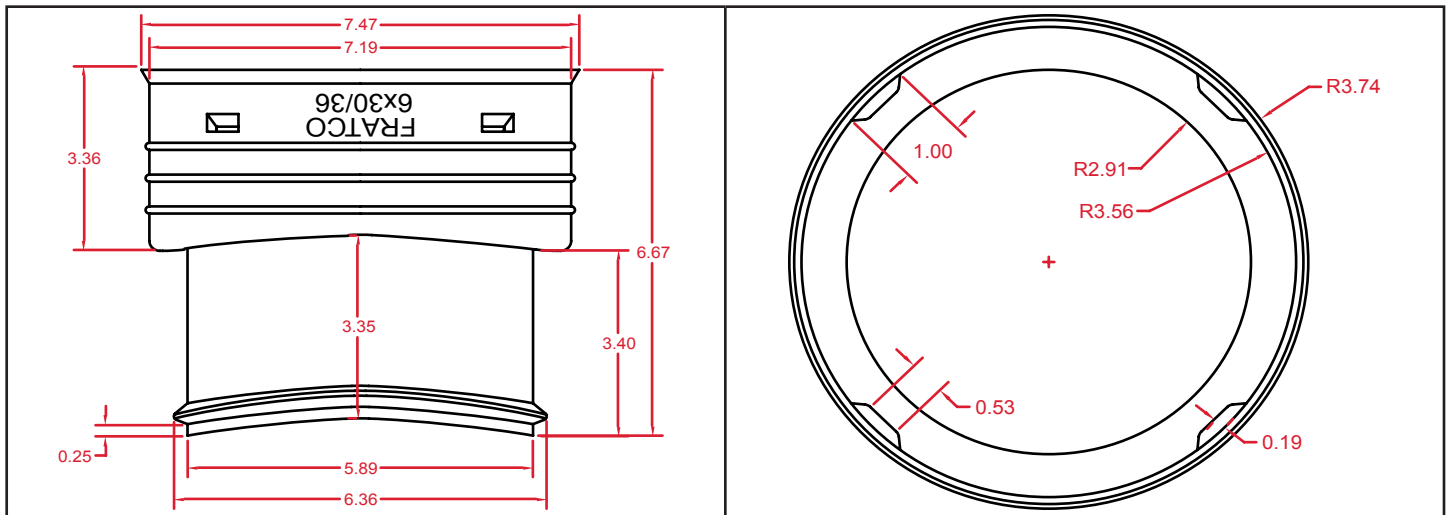


FITTING NUMBER	
40062600	
FITTING	SIZE
TAP TEE LARGE (30/36)	6"



MEASUREMENTS



PART WEIGHT

300 grams (+/- 20 grams)

PART WALL DISTRIBUTION

.07"

These specifications are held in standard according to ASTM F667 - Standard Specification for Polyethylene Plastics Pipe and Fittings material.