

FITTING NUMBER

40101100

FITTING

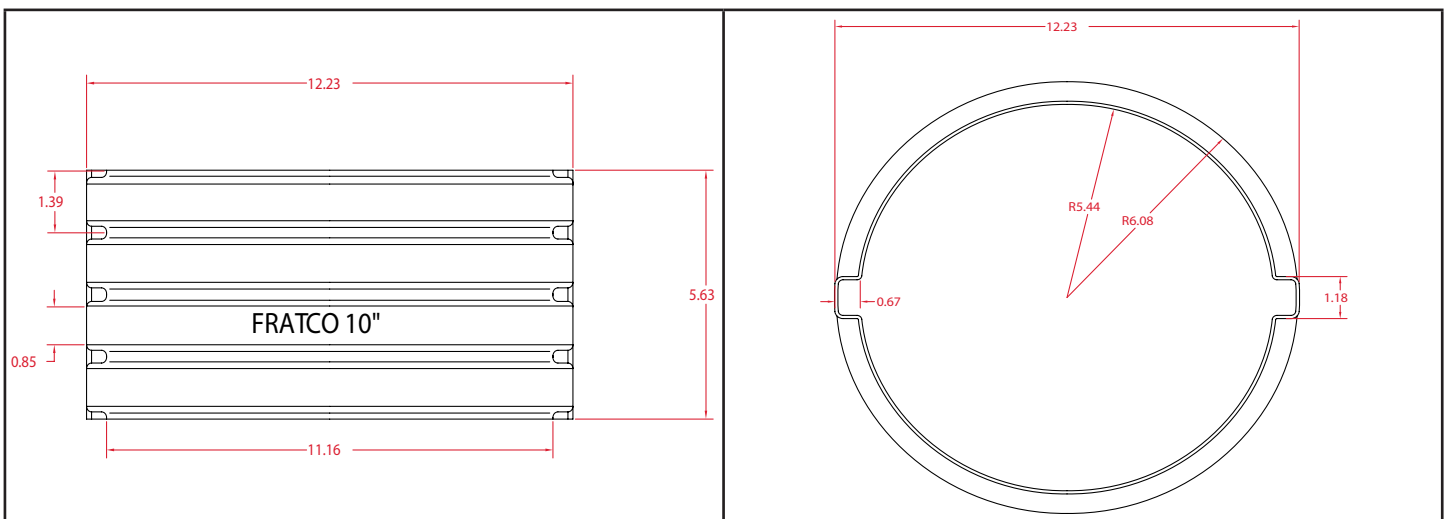
SPLIT COUPLER

SIZE

10"



MEASUREMENTS



PART WEIGHT

280 grams (+/- 15 grams)

PART WALL DISTRIBUTION

.09"

These specifications are held in standard according to ASTM F667 - Standard Specification for Polyethylene Plastics Pipe and Fittings material.