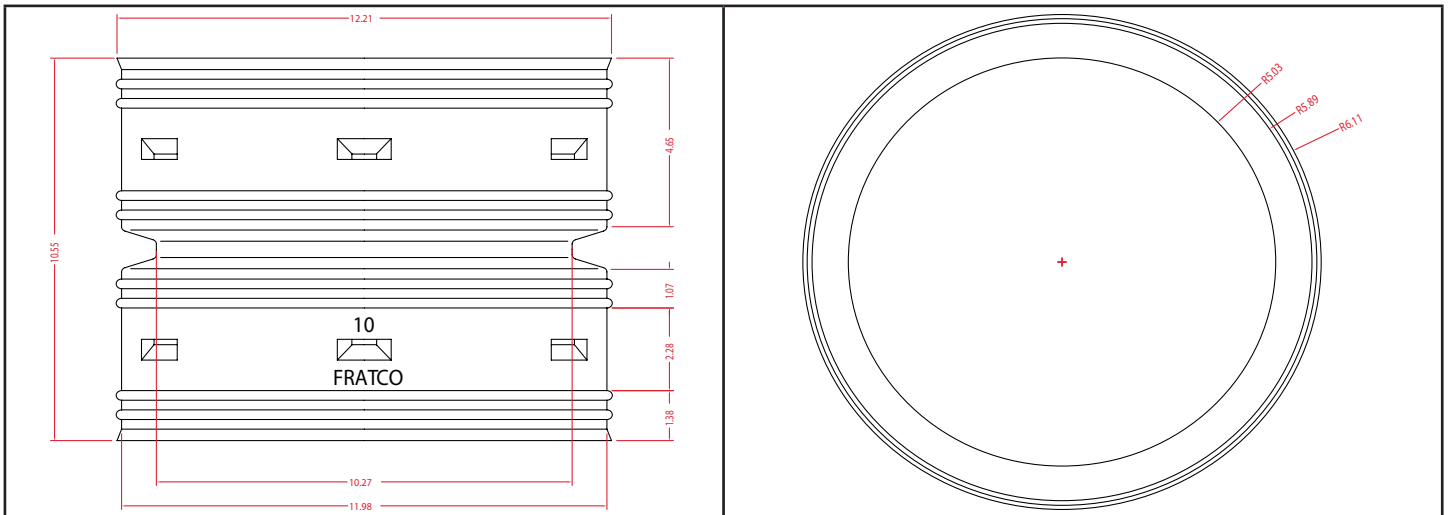




FITTING NUMBER	
40101200	
FITTING	SIZE
SNAP COUPLER	10"

MEASUREMENTS



PART WEIGHT
600 grams (+/- 15 grams)

PART WALL DISTRIBUTION
.102"

These specifications are held in standard according to ASTM F667 - Standard Specification for Polyethylene Plastics Pipe and Fittings material.