

FITTING NUMBER

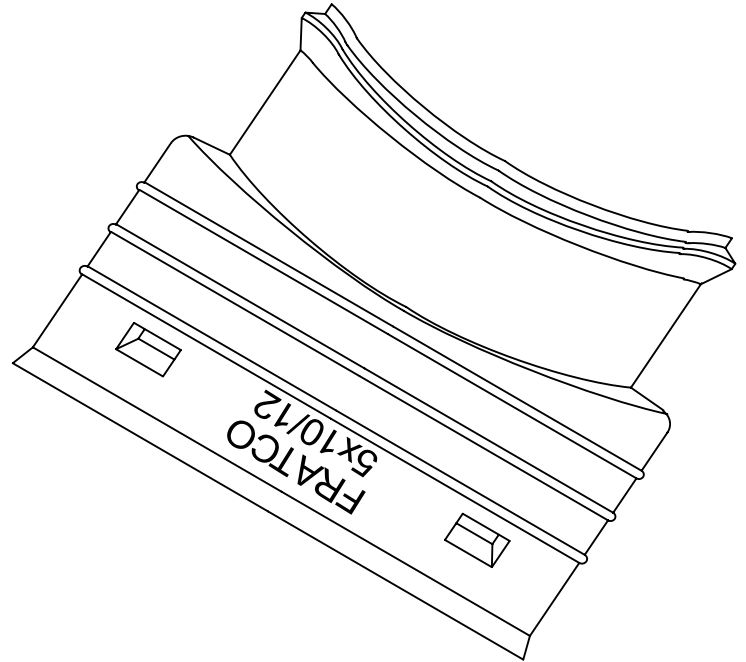
40052500

FITTING

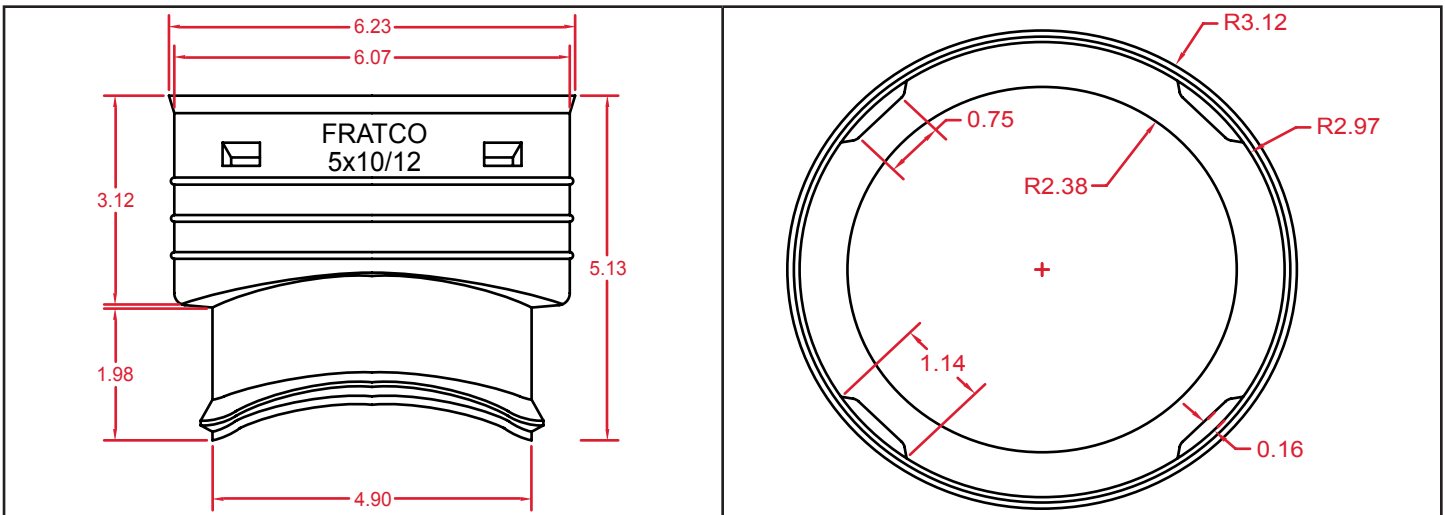
SMALL TAP TEE (10/12)

SIZE

5"



MEASUREMENTS



PART WEIGHT

120 grams (+/- 10 grams)

PART WALL DISTRIBUTION

.07"

These specifications are held in standard according to ASTM F667 - Standard Specification for Polyethylene Plastics Pipe and Fittings material.