



FITTING NUMBER

**40053000**

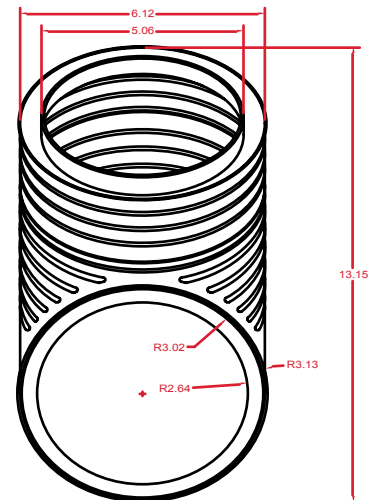
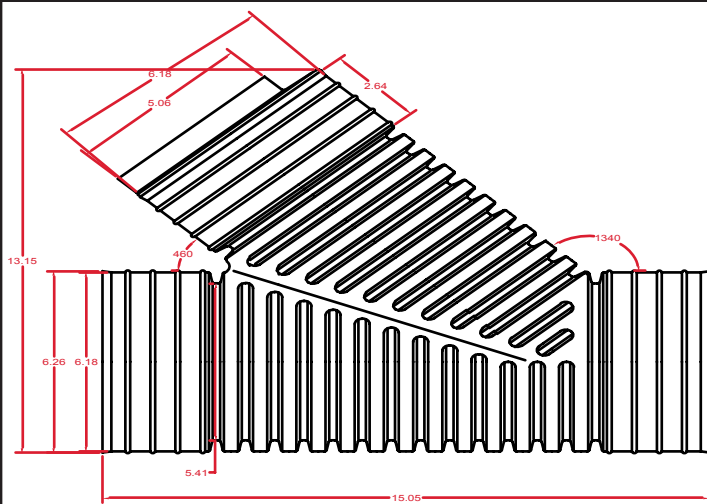
FITTING

**REDUCER WYE**

SIZE

**5"**

MEASUREMENTS



PART WEIGHT

**565 grams** (+/- 20 grams)

PART WALL DISTRIBUTION

**.07"**

These specifications are held in standard according to ASTM F667 - Standard Specification for Polyethylene Plastic Pipe and Fittings material.