

FITTING NUMBER

**40082300**

FITTING

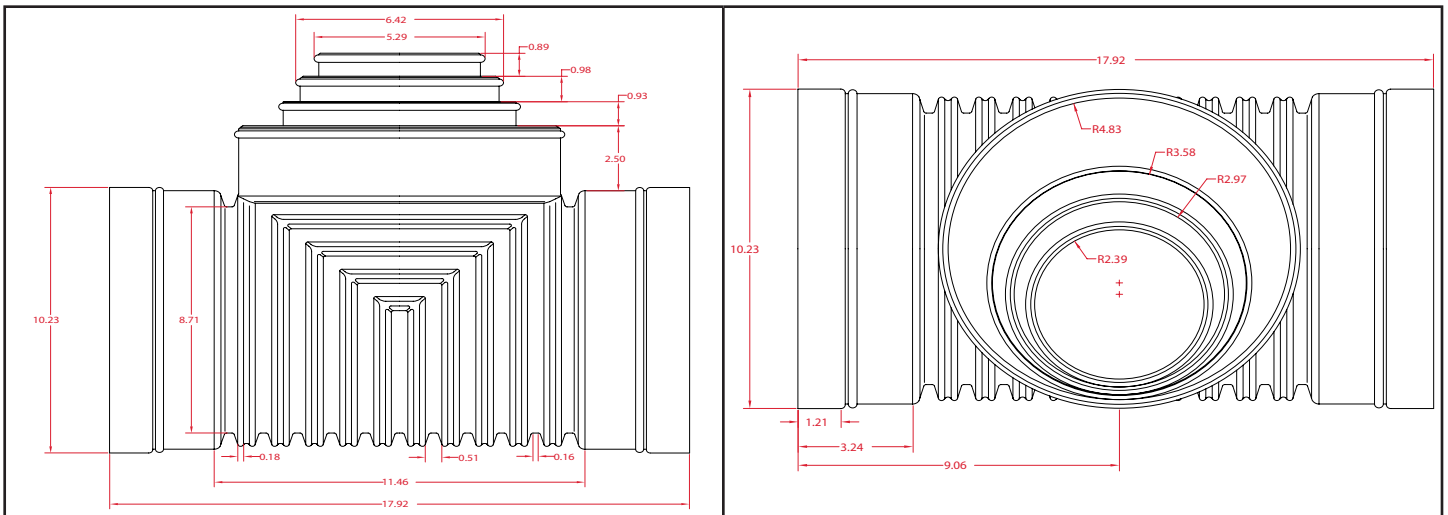
**REDUCER TEE**

SIZE

**8"**



**MEASUREMENTS**



PART WEIGHT

**1075 grams** (+/- 25 grams)

PART WALL DISTRIBUTION

**.082"**

These specifications are held in standard according to ASTM F667 - Standard Specification for Polyethylene Plastics Pipe and Fittings material.