

FITTING NUMBER

40102200

FITTING

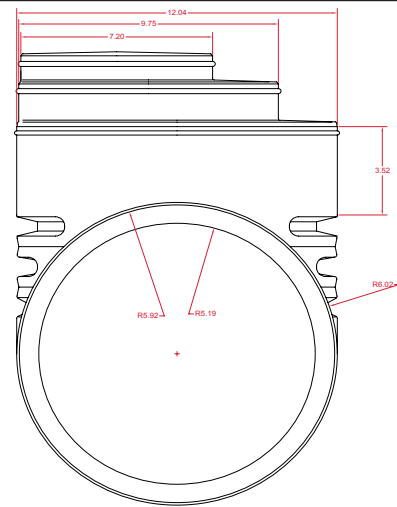
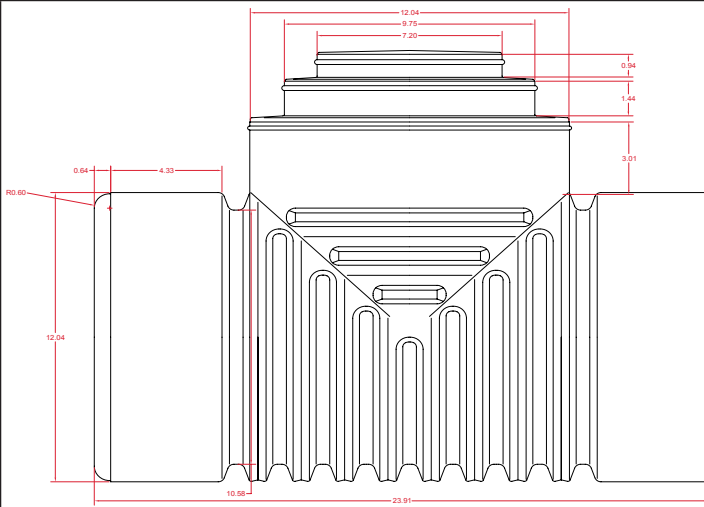
BLIND TEE

SIZE

10"



MEASUREMENTS



PART WEIGHT

2400 grams (+/- 55 grams)

PART WALL DISTRIBUTION

.10"

These specifications are held in standard according to ASTM F667 - Standard Specification for Polyethylene Plastics Pipe and Fittings material.