



FITTING NUMBER

40082300

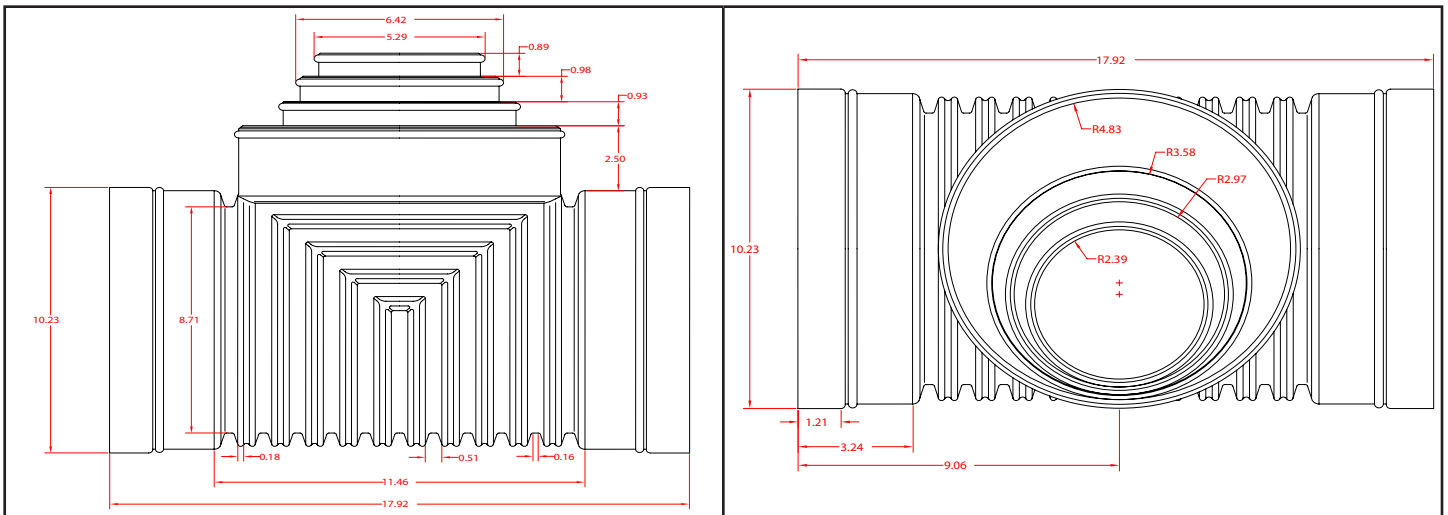
FITTING

REDUCER TEE

SIZE

8"

MEASUREMENTS



PART WEIGHT

1075 grams (+/- 25 grams)

PART WALL DISTRIBUTION

.082"

These specifications are held in standard according to ASTM F667 - Standard Specification for Polyethylene Plastics Pipe and Fittings material.