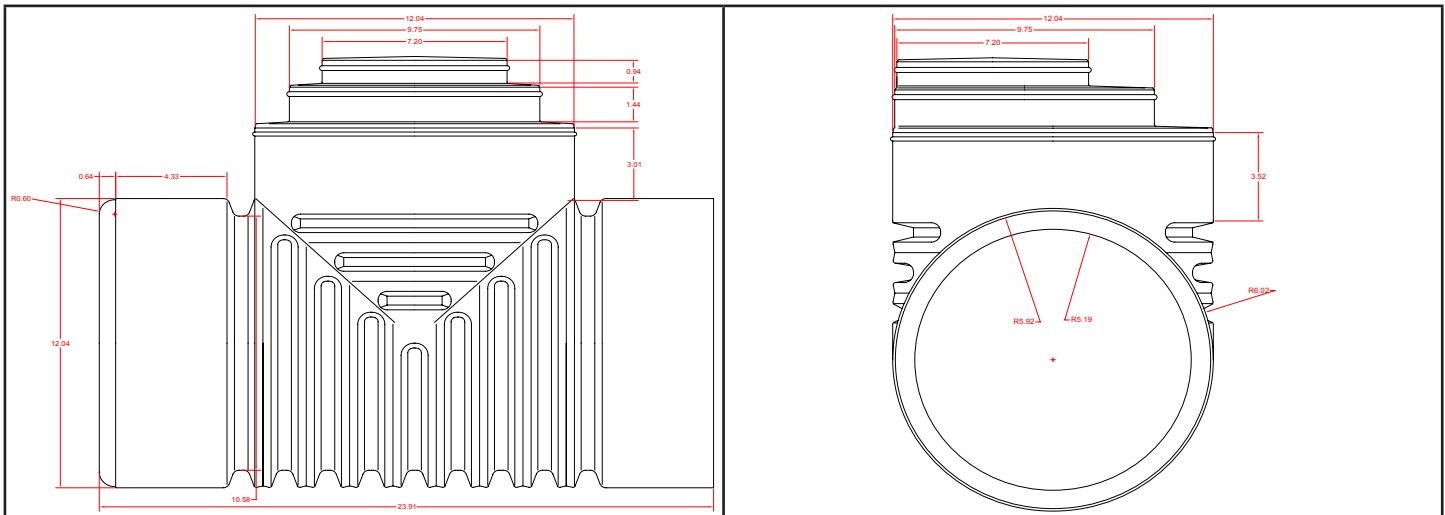




FITTING NUMBER	
40102200	
FITTING	SIZE
BLIND TEE	10"

MEASUREMENTS



PART WEIGHT
2400 grams (+/- 55 grams)

PART WALL DISTRIBUTION
.10"

These specifications are held in standard according to ASTM F667 - Standard Specification for Polyethylene Plastics Pipe and Fittings material.