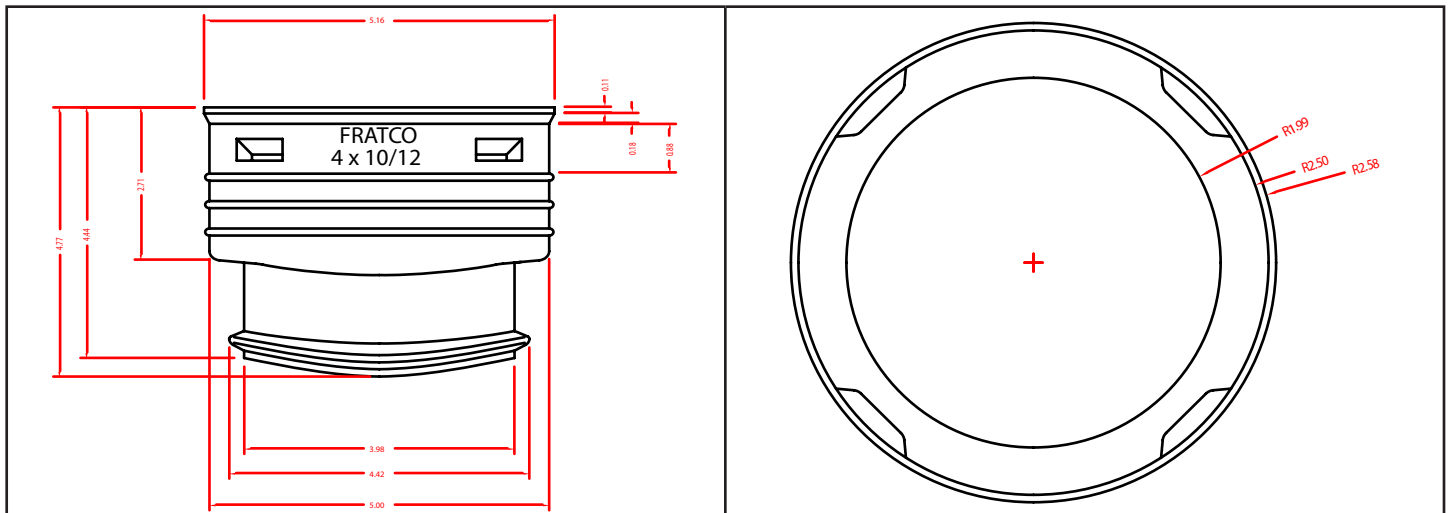


FITTING NUMBER	
40042600	
FITTING	SIZE
TAP TEE (10/12)	4"



MEASUREMENTS



PART WEIGHT
75 grams (+/- 7 grams)

PART WALL DISTRIBUTION
.059"

These specifications are held in standard according to ASTM F667 - Standard Specification for Polyethylene Plastics Pipe and Fittings material.