



FITTING NUMBER

40061200

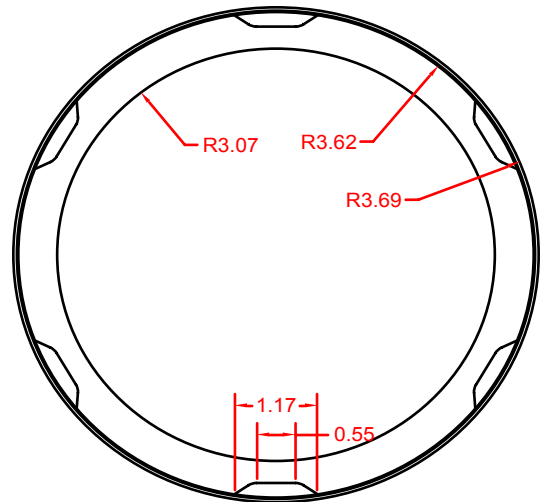
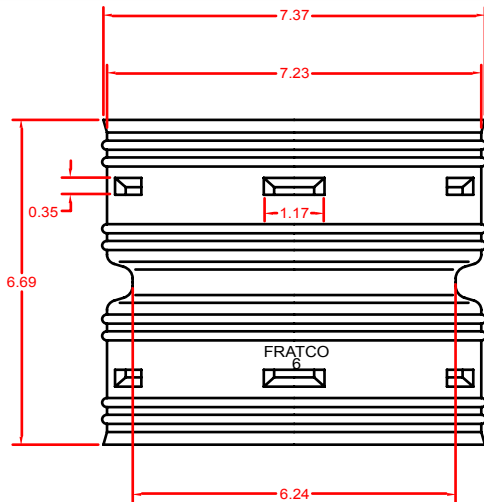
FITTING

SNAP COUPLER

SIZE

6"

MEASUREMENTS



PART WEIGHT

150 grams (+/- 15 grams)

PART WALL DISTRIBUTION

.07"

These specifications are held in standard according to ASTM F667 - Standard Specification for Polyethylene Plastics Pipe and Fittings material.