

FITTING NUMBER

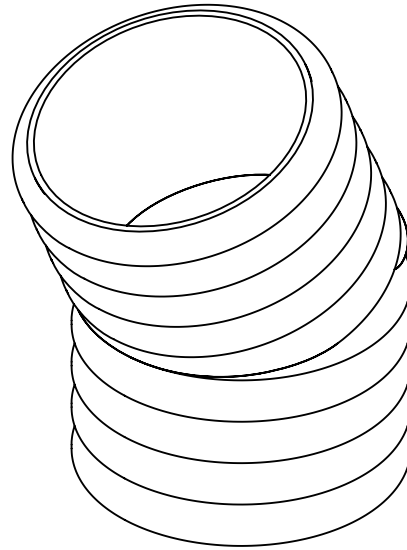
44122250
 44152250
 44182250
 44242250
 44302250
 44362250
 44422250
 44482250

FITTING

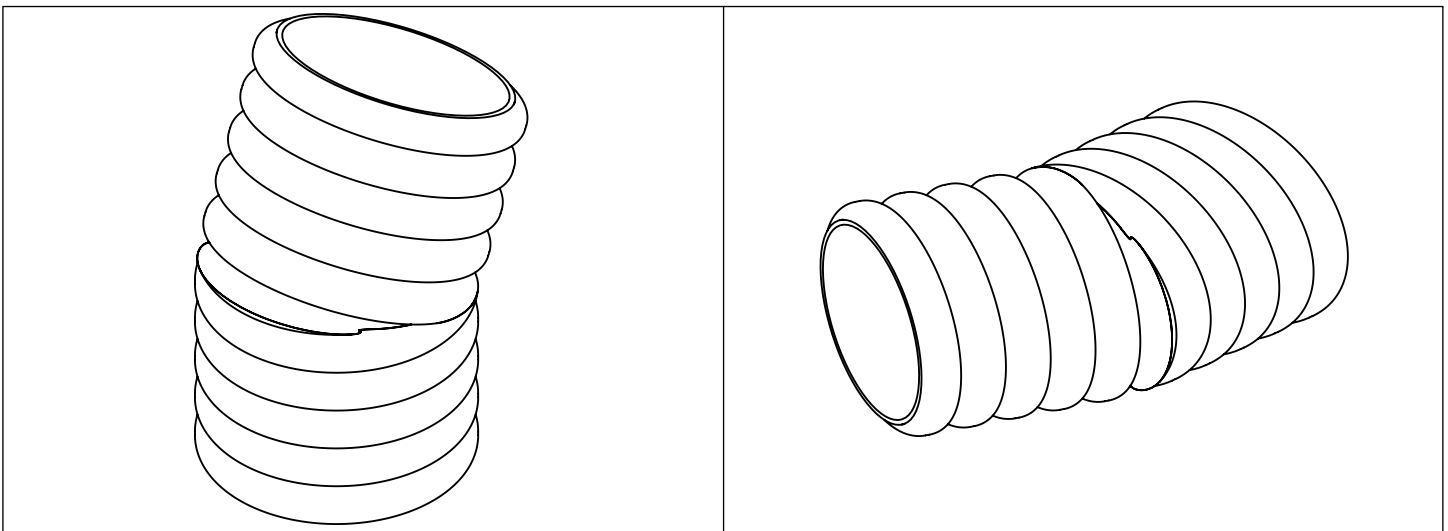
22.5 ELBOW

SIZE

12"-48"



MEASUREMENTS



Nominal Diameter	ID	OD	Crown Height	Pitch	Pipe Weight (Per Foot)
12"	11.98"	14.62"	1.15"	0.50"	1450 gs
15"	14.96"	17.66"	1.14"	0.78"	2150 gs
18"	17.94"	21.43"	1.46"	1.12"	2945 gs
24"	23.86"	28.01"	1.81"	1.23"	4850 gs
30"	29.86"	34.75"	2.23"	1.33"	6533 gs
36"	35.91"	40.48"	2.26"	1.62"	8416 gs
42"	41.75"	47.27"	2.53"	1.68"	12402 gs
48"	47.96"	54.75"	2.82"	1.74"	14063 gs

These specifications are held in standard according to the following: ASTM F667, ASTM F2306, AASHTO M294.