

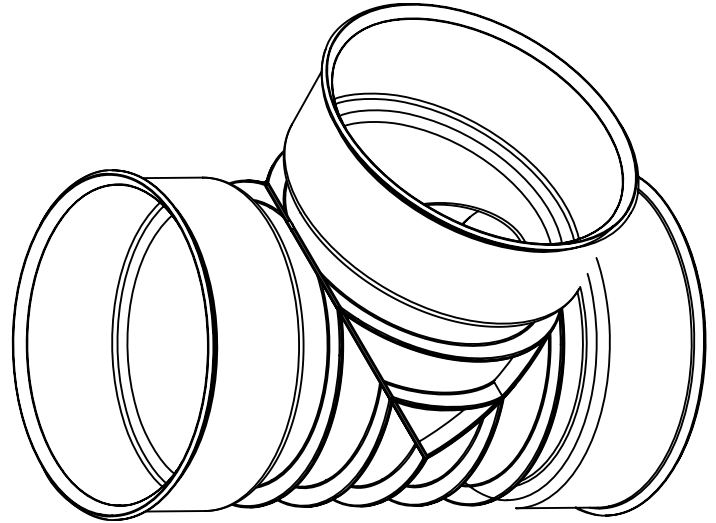
FITTING NUMBER

40042100

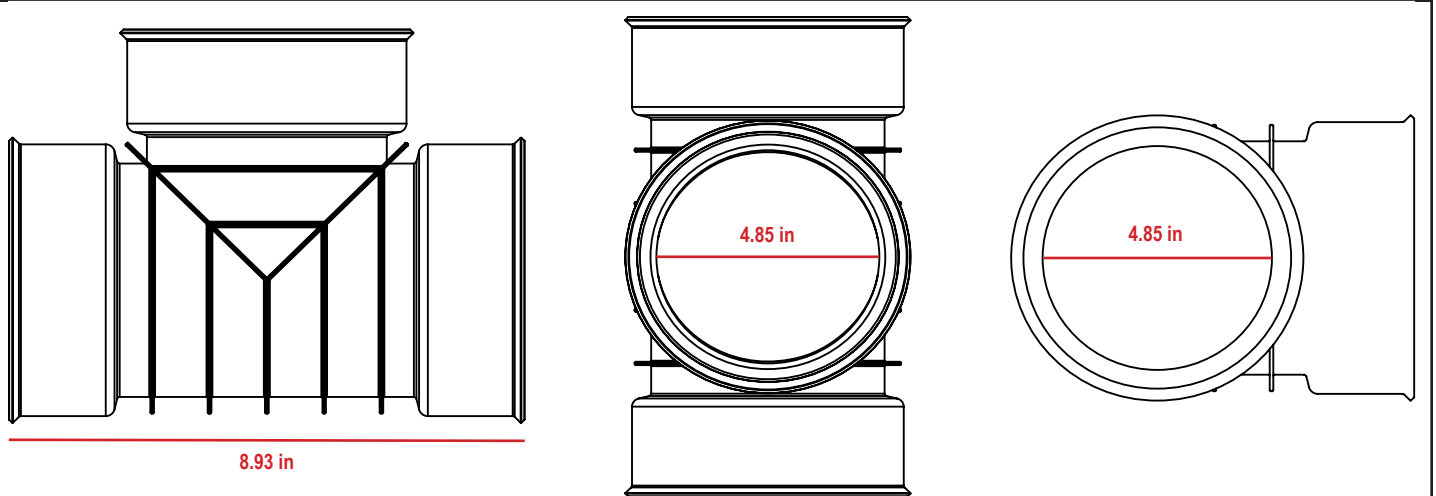
FITTING

TEE

SIZE

4"

MEASUREMENTS



PART WEIGHT

216 grams

PART WALL DISTRIBUTION

.074"

These specifications are held in standard according to ASTM F667 - Standard Specification for Polyethylene Plastics Pipe and Fittings material.