

FITTING NUMBER

# 40181824

FITTING

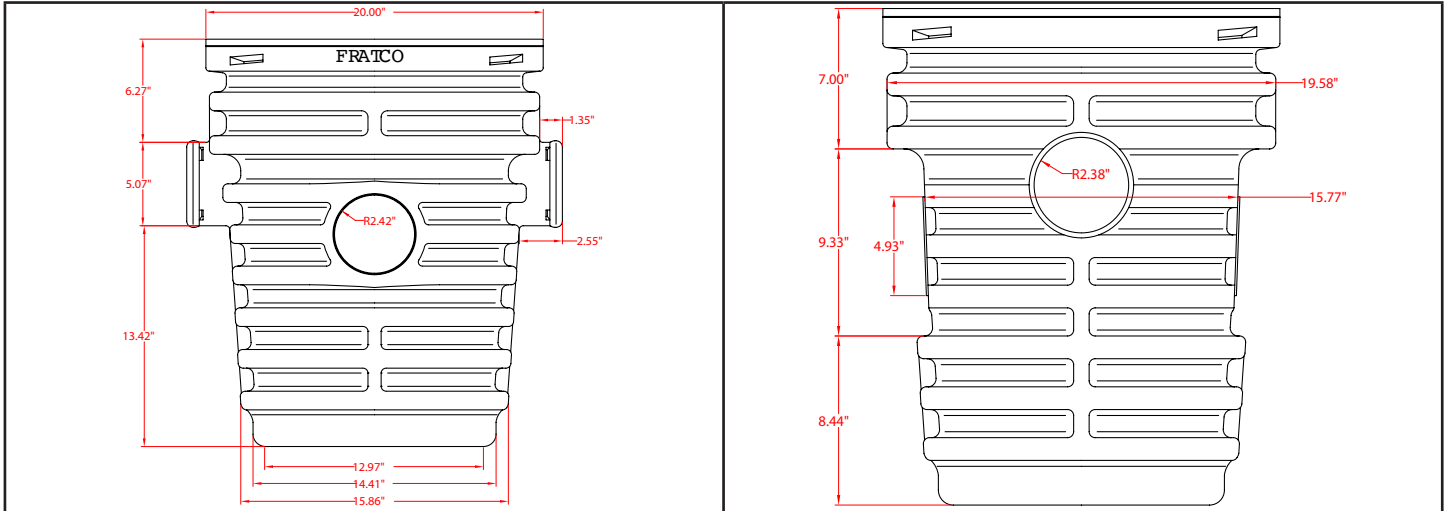
**TAPERED SUMP PIT**

SIZE

**18"x24"**



MEASUREMENTS



PART WEIGHT

**2900 grams** (+/- 30 grams)

PART WALL DISTRIBUTION

**N/A**

These specifications are held in standard according to ASTM F667 - Standard Specification for Polyethylene Plastics Pipe and Fittings material.