

FITTING NUMBER

40063500

FITTING

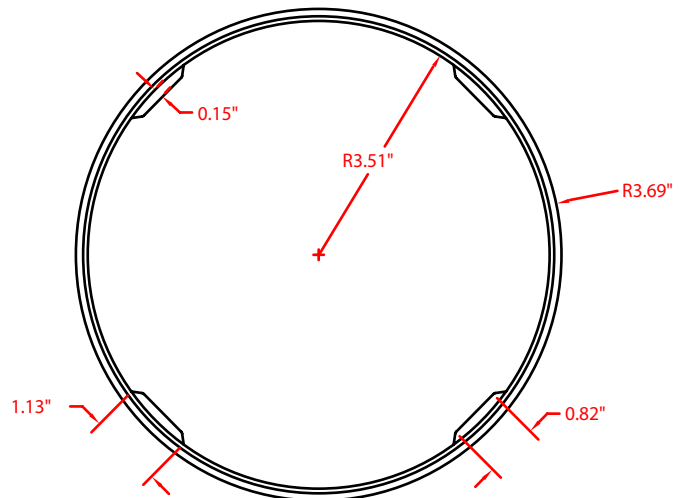
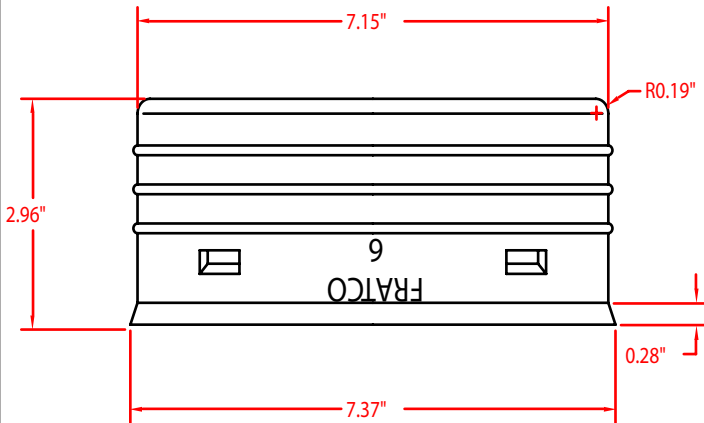
SNAP END CAP

SIZE

6"



MEASUREMENTS



PART WEIGHT

115 grams (+/- 10 grams)

PART WALL DISTRIBUTION

.07"

These specifications are held in standard according to ASTM F667 - Standard Specification for Polyethylene Plastics Pipe and Fittings material.