

FITTING NUMBER

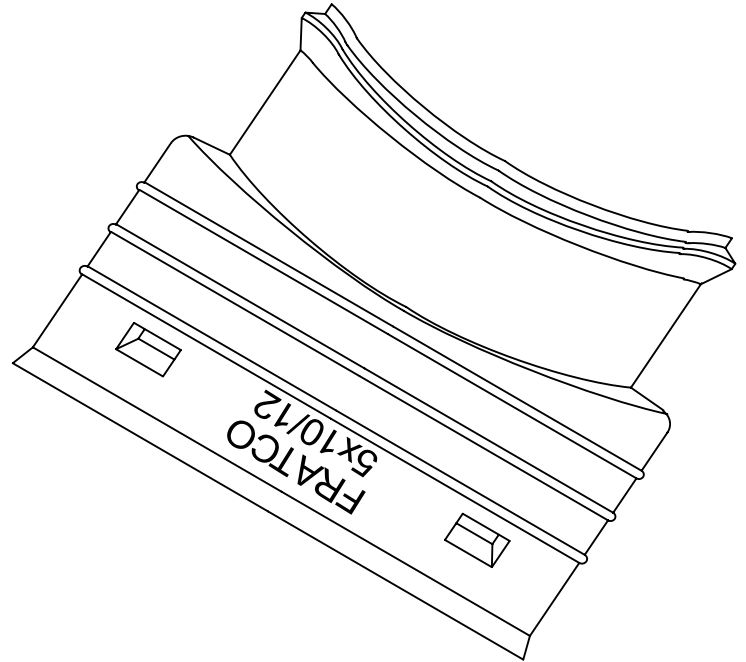
# 40052500

FITTING

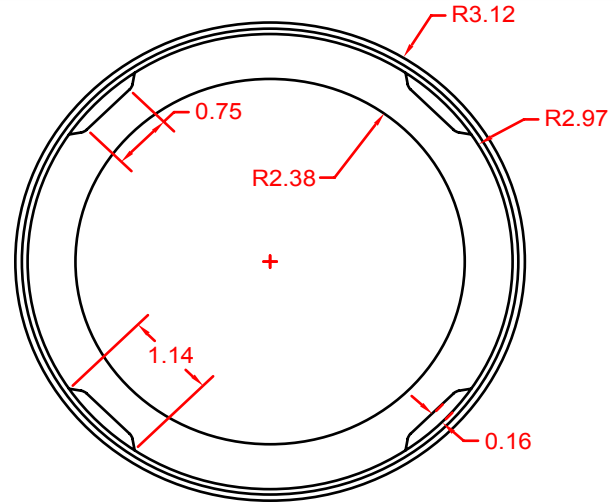
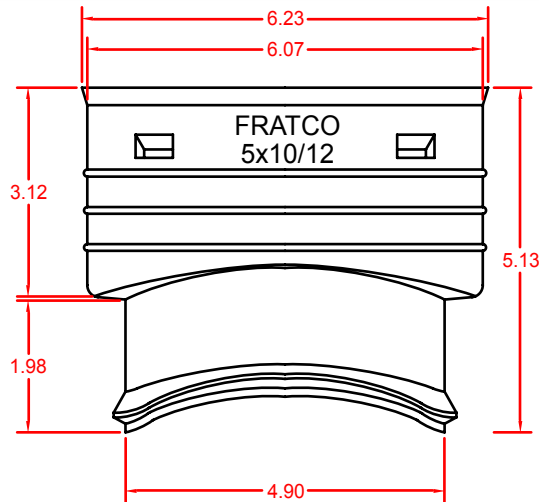
**SMALL TAP TEE (10/12)**

SIZE

**5"**



MEASUREMENTS



PART WEIGHT

**120 grams** (+/- 10 grams)

PART WALL DISTRIBUTION

**.07"**

These specifications are held in standard according to ASTM F667 - Standard Specification for Polyethylene Plastics Pipe and Fittings material.