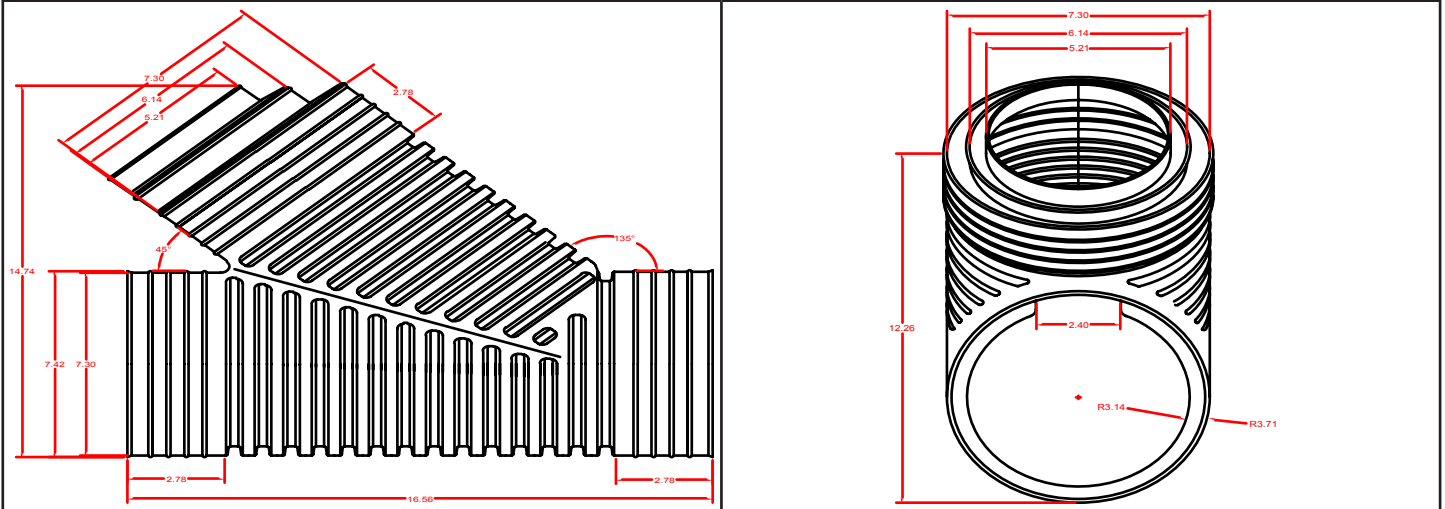




FITTING NUMBER	
40063000	
FITTING	SIZE
REDUCER WYE	6"

MEASUREMENTS



PART WEIGHT
815 grams (+/- 25 grams)

PART WALL DISTRIBUTION
.07"

These specifications are held in standard according to ASTM F667 - Standard Specification for Polyethylene Plastics Pipe and Fittings material.