



FITTING NUMBER

40053000

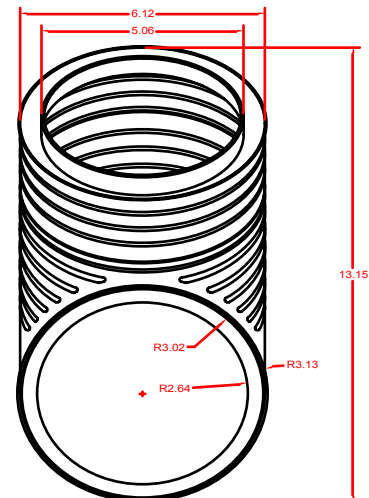
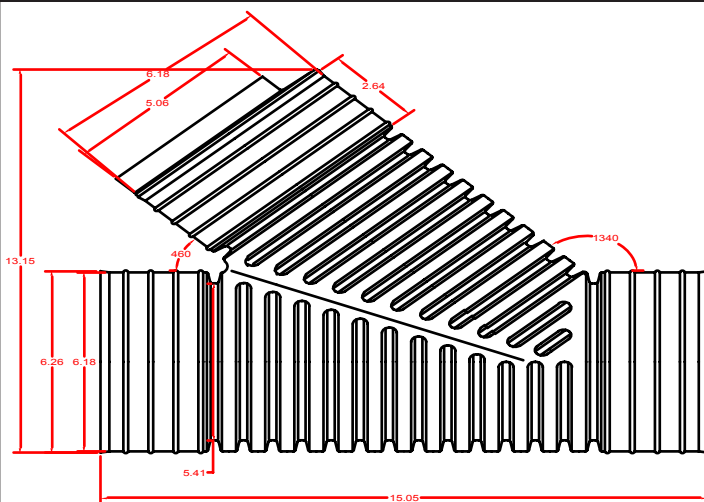
FITTING

REDUCER WYE

SIZE

5"

MEASUREMENTS



PART WEIGHT

565 grams (+/- 20 grams)

PART WALL DISTRIBUTION

.07"

These specifications are held in standard according to ASTM F667 - Standard Specification for Polyethylene Plastics Pipe and Fittings material.