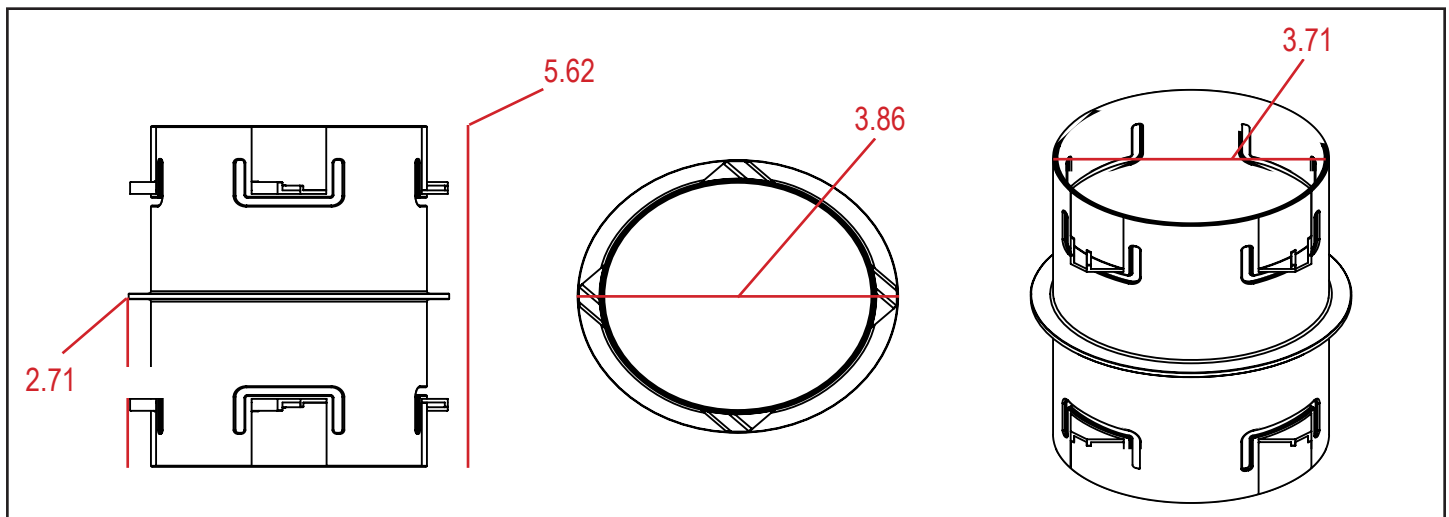


FITTING NUMBER	
<b>40041300</b>	
FITTING	SIZE
<b>INTERNAL COUPLER INJ</b>	<b>4"</b>

### MEASUREMENTS



#### PART WEIGHT

**85 grams** (+/- 7 grams)

#### PART WALL DISTRIBUTION

**.08"**

These specifications are held in standard according to ASTM F667 - Standard Specification for Polyethylene Plastics Pipe and Fittings material.