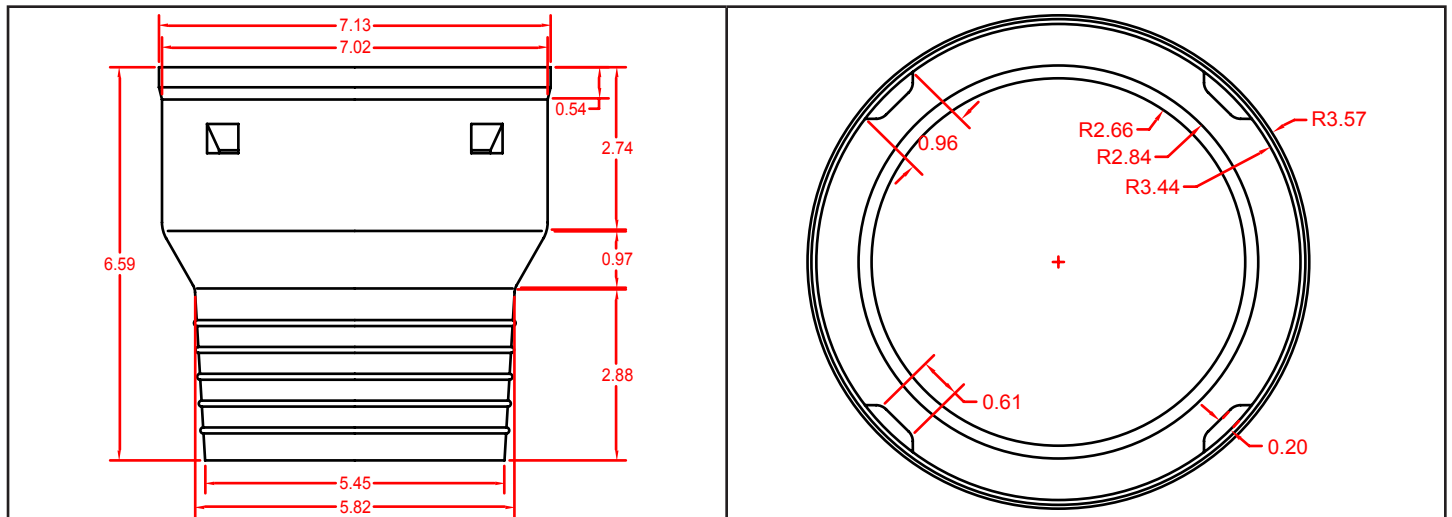


FITTING NUMBER	
<b>40065000</b>	
FITTING	SIZE
<b>ADAPTER</b>	<b>6"</b>



### MEASUREMENTS



### PART WEIGHT

**110 grams** (+/- 10 grams)

### PART WALL DISTRIBUTION

**.08"**

These specifications are held in standard according to ASTM F667 - Standard Specification for Polyethylene Plastics Pipe and Fittings material.